



# RolloPort dta200

## Overview of advantages

- Universal applications:  
Right-hand and left-hand stop is possible
- Extensive convenience and security functions:  
Automatic obstacle detection, regulated "soft run" with silent and smooth travel, connection of photo sensors and warning lights is also possible
- Quick and easy to install



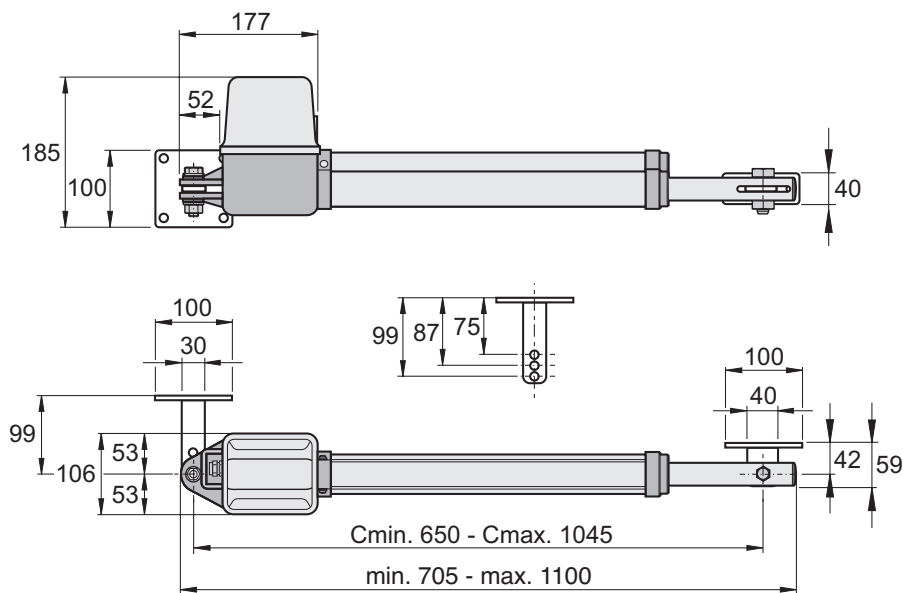
Conforms to the latest door product standards

RolloPort dta200	
Max. tractive and compressive force	2,000 N
Gate length	min. 0.8 m to a max. of 2.5 m
Gate height	max. 2.5m
Weight	max. 200 kg
Surface area when open	min. 50 %



Technical specifications		
Item number	4800 (1 gate leaf)	4801 (2 gate leaf)
Gate leaf length	min. 0.8 m to a max. of 2.5 m	min. 0.8 m to a max. of 2.5 m
Gate leaf height	max. 2.5m	max. 2.5m
Weight	max. 200 kg	max. 200 kg
Open surface area, independent of the size of the door	min. 50 %	min. 50 %
Gate rise	0 %	0 %
Operation time each according to A / B measurement	approx. 10 to 22 sec	approx. 15 to 27 sec
Protection class of the drive	IP 44	IP44
Protection class of the controller housing	IP 54	IP 54
Nominal voltage	220 to 240 V	220 to 240 V
Nominal frequency	50 Hz	50 Hz
Temperature range for use	-30 to +80 °C (drive), -20 to +70 °C (controller housing),	-30 to +80 °C (drive), -20 to +70 °C (controller housing),
Stroke (each drive)	395 mm	395 mm
Max. tractive and compression force	2,000 N	2,000 N
On-time	15 %	15 %
Nominal standby current consumption	20 mA	20 mA
Nominal standby power consumption	2.2 w	2.2 w
Motor voltage	21.7 V	20 V
Nominal current consumption	2.8 A	5.6 A
Nominal power consumption	117.3 w	234 w
Workplace-related emissions value	< 75 dBA - drive only	< 75 dBA - drive only

## Dimensions



## Operating accessories included



4-channel manual transmitter