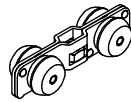
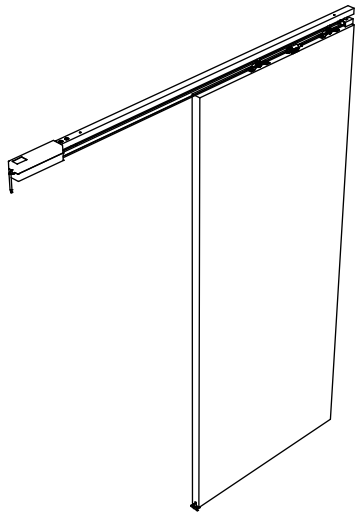


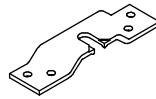


RADEMACHER

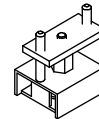
ALU 80 mono



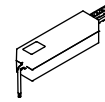
2x



2x



1x



1x



2x



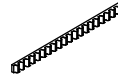
1x

T310



1x

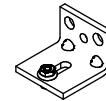
2000mm



1x



1x



6x



1x



2x

M6x30



2x

M6



2x

M8x55



2x

M8



2x

3,5x19



2x

4,5x30

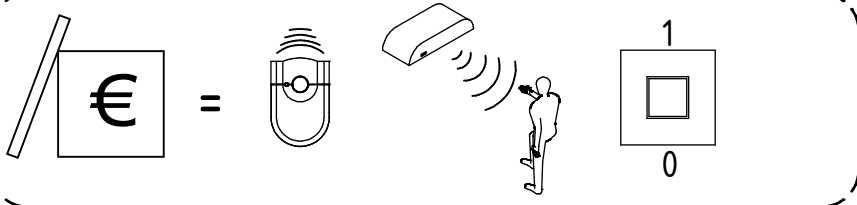
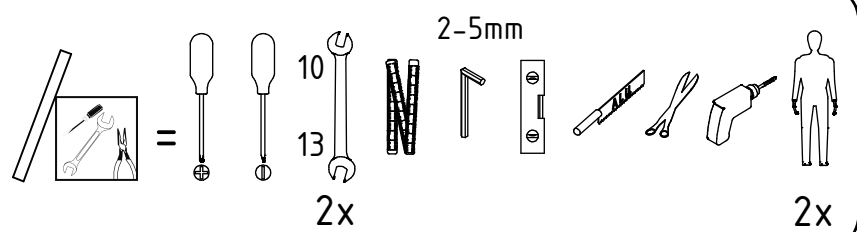
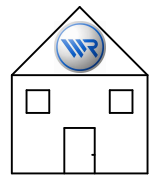
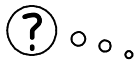
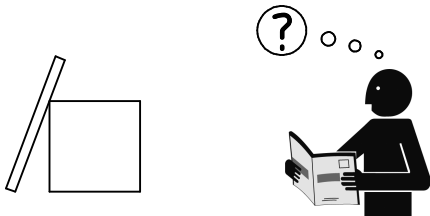


8x

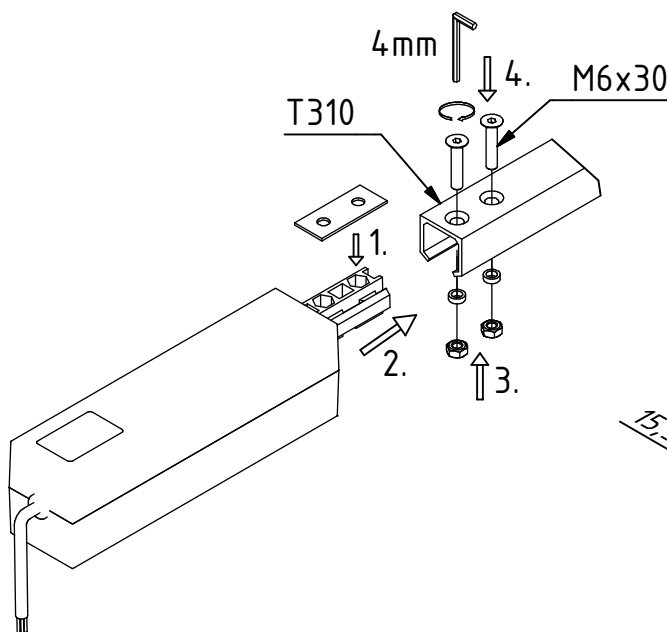
A5,3



2x



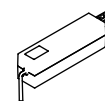
1.



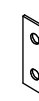
T310



1x



1x



1x



2x

M6

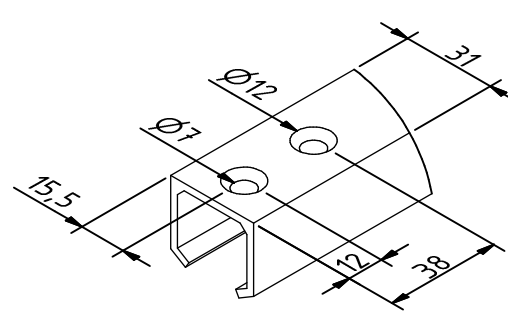


2x

M6x30


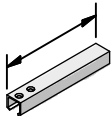
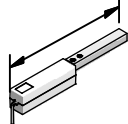


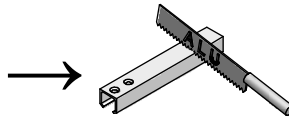
2x


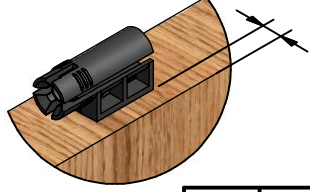


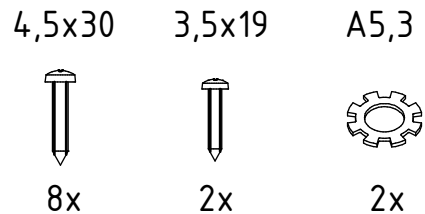
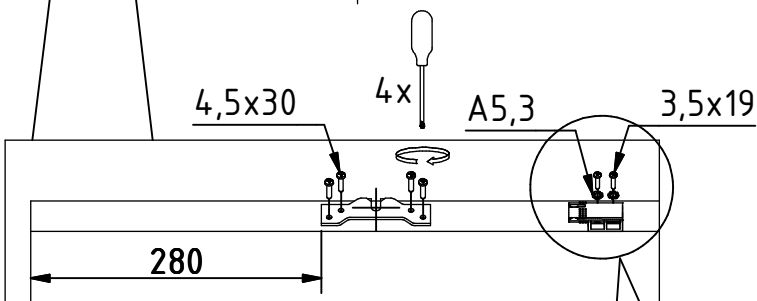
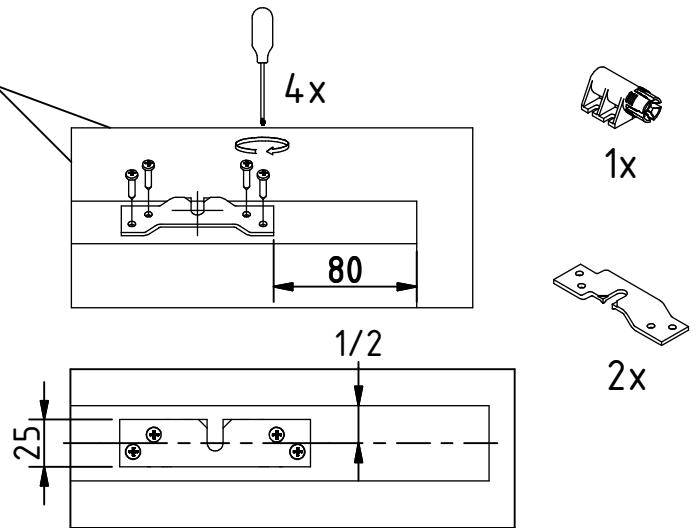
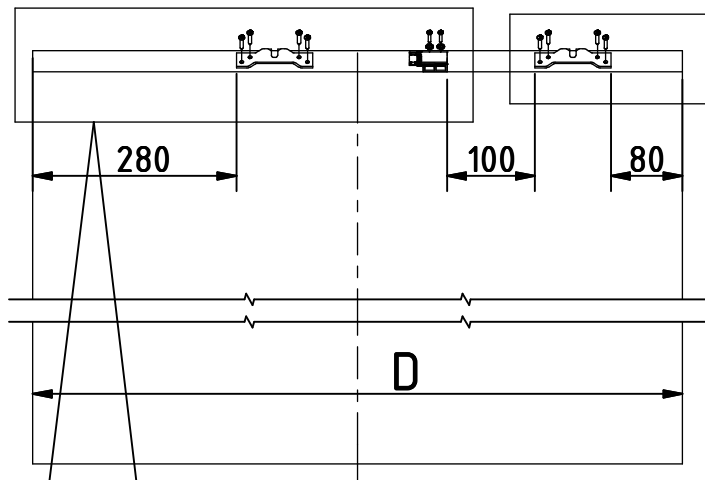
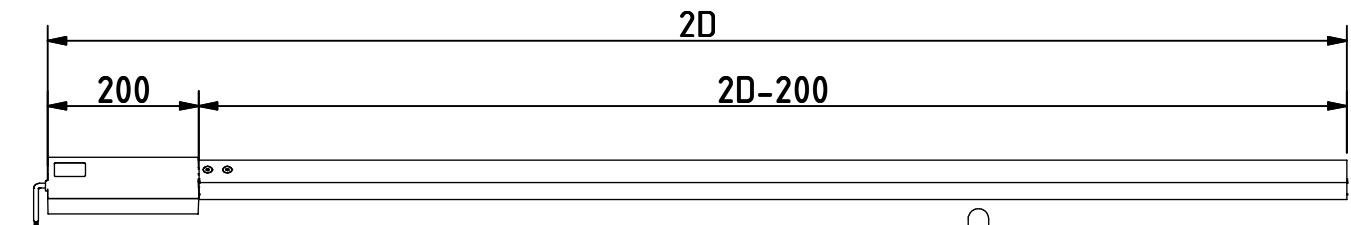
1.1

ALU 80 mono

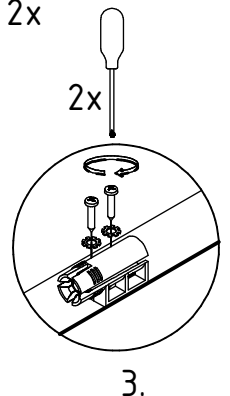
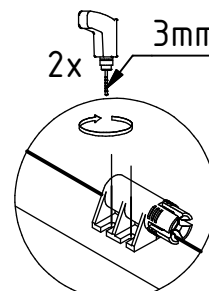
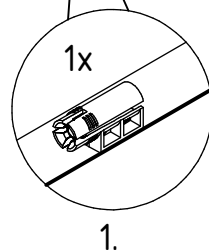
		
max. 80kg		
min. 800mm	1400mm	1600mm
850mm	1500mm	1700mm
860mm	1520mm	1720mm
900mm	1600mm	1800mm
950mm	1700mm	1900mm
985mm	1770mm	1970mm
1000mm	1800mm	2000mm
1050mm	1900mm	2100mm
max. 1100mm	2000mm	2200mm



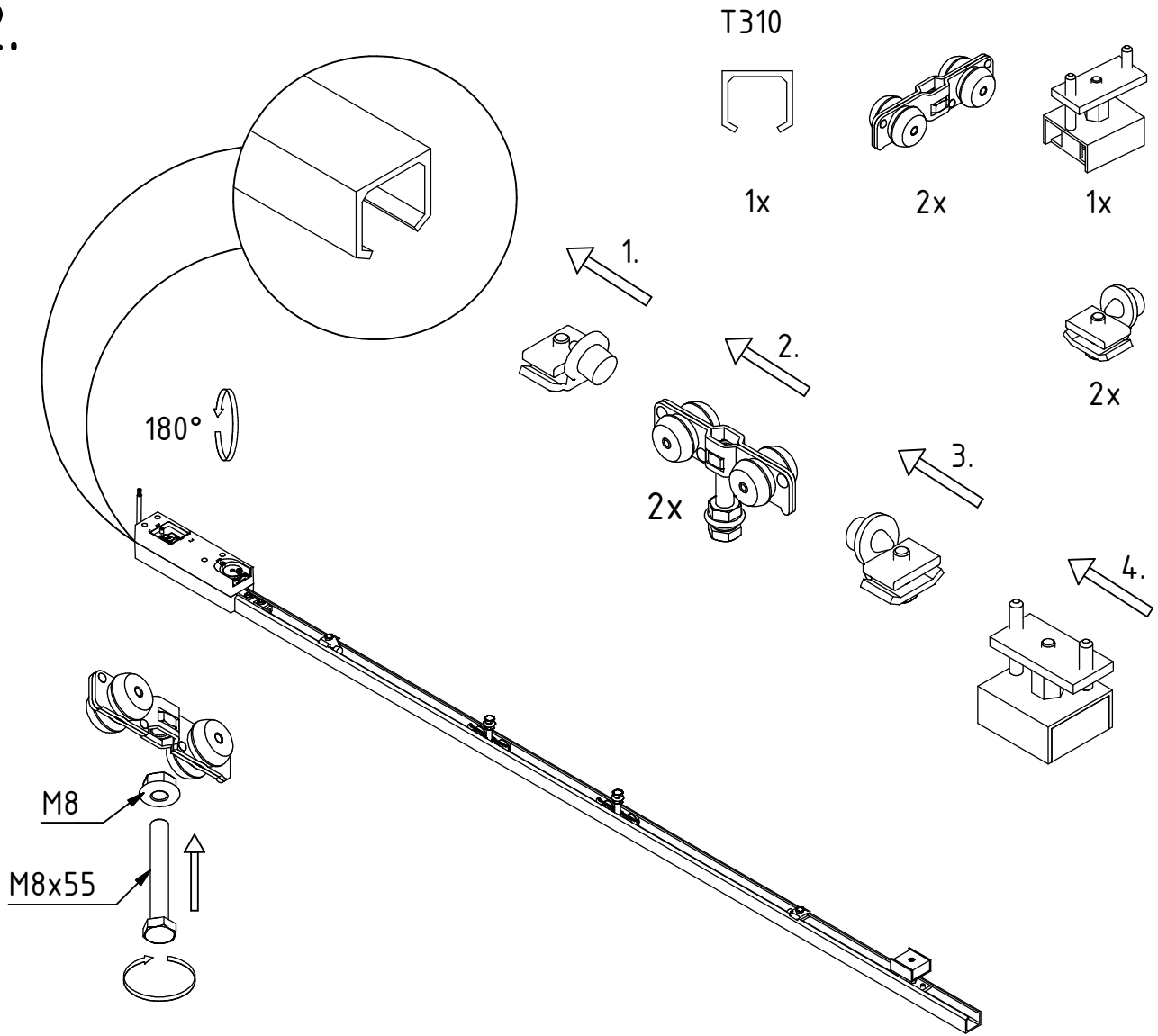
		4.a	4.b
30mm	-5mm	x	x
40mm	0mm	x	x
50mm	+5mm	x	x
60mm	+10mm	-	x



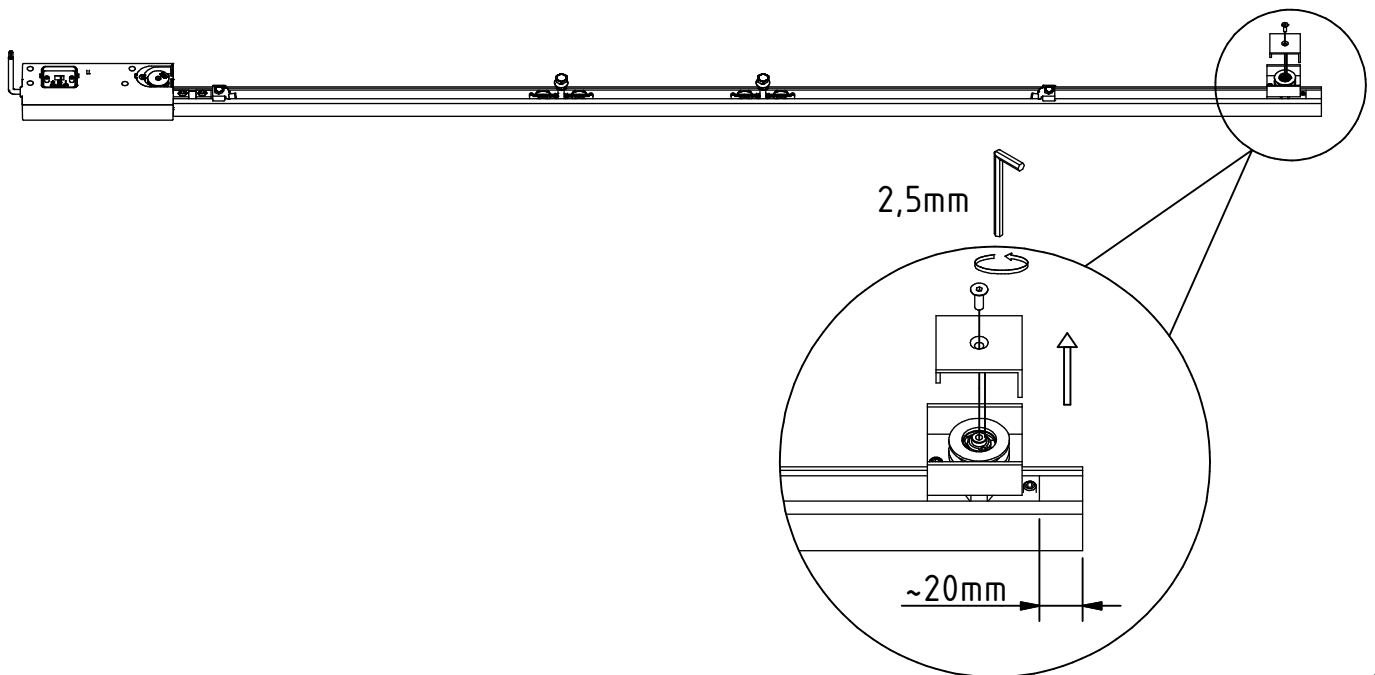
40mm



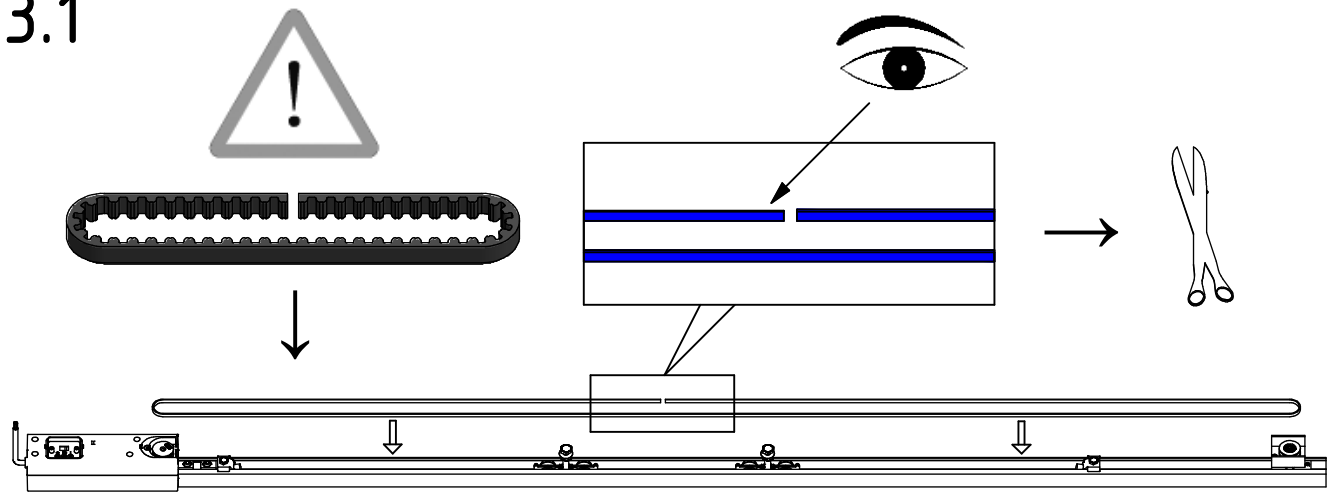
2.



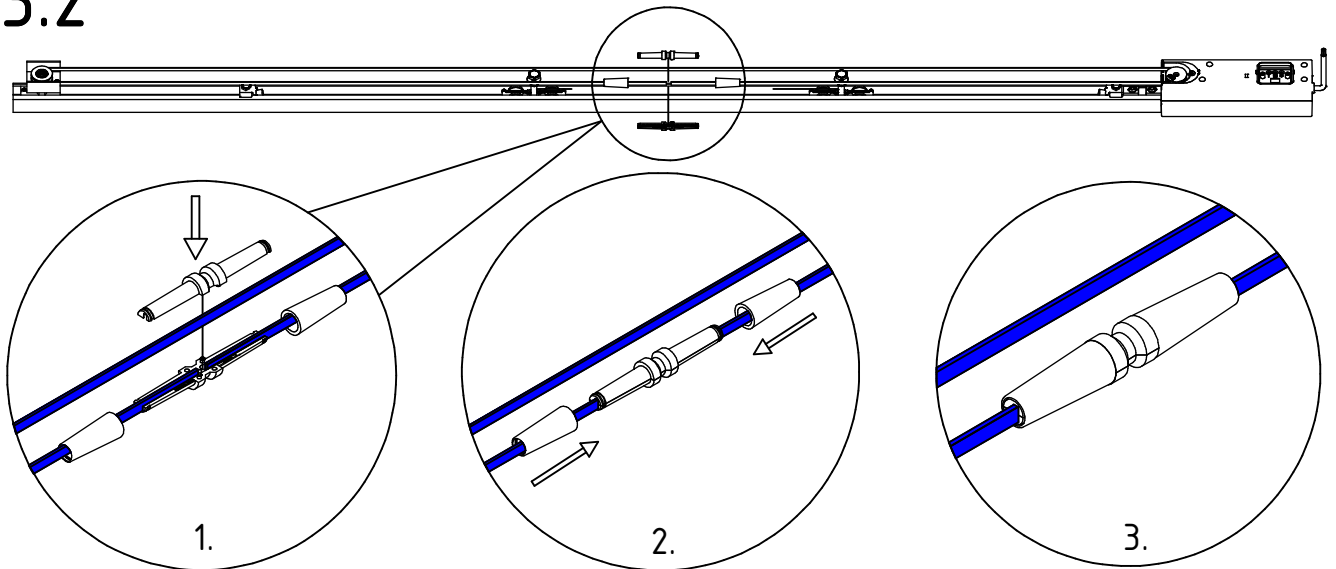
3.



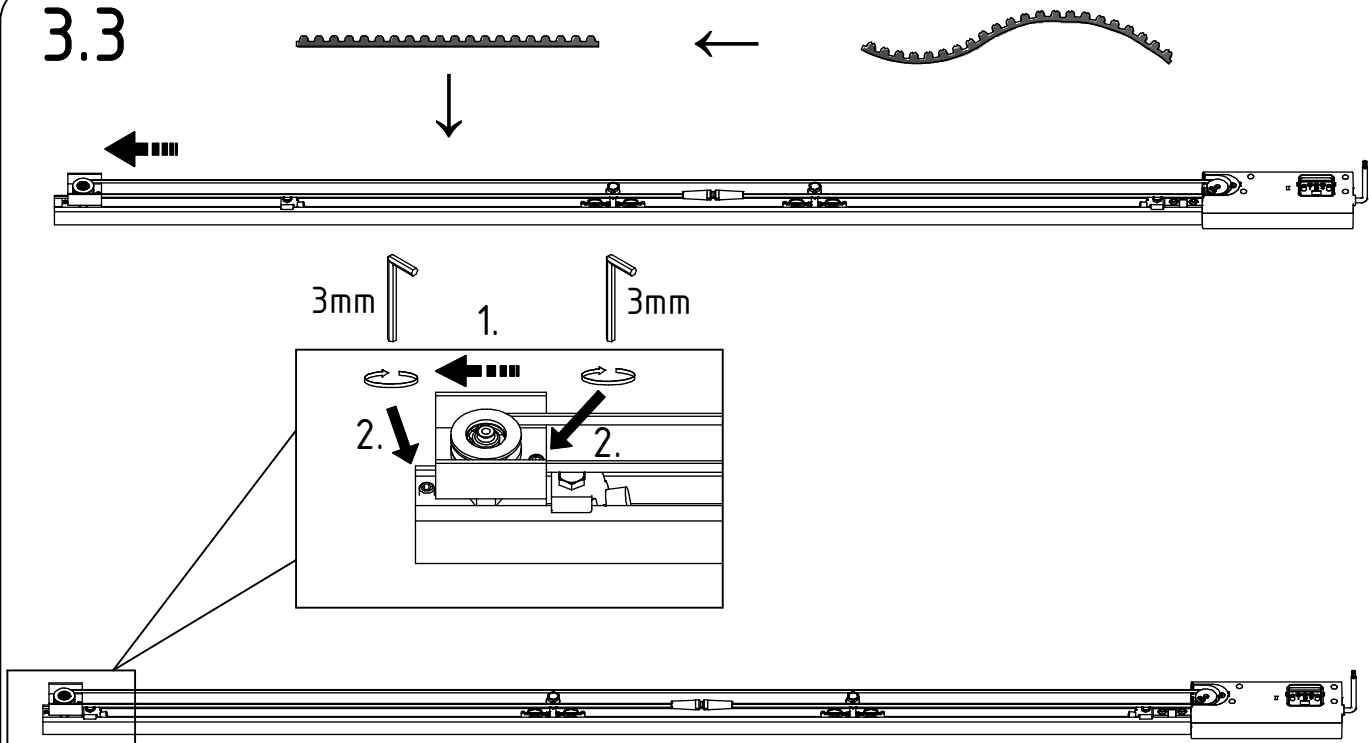
3.1



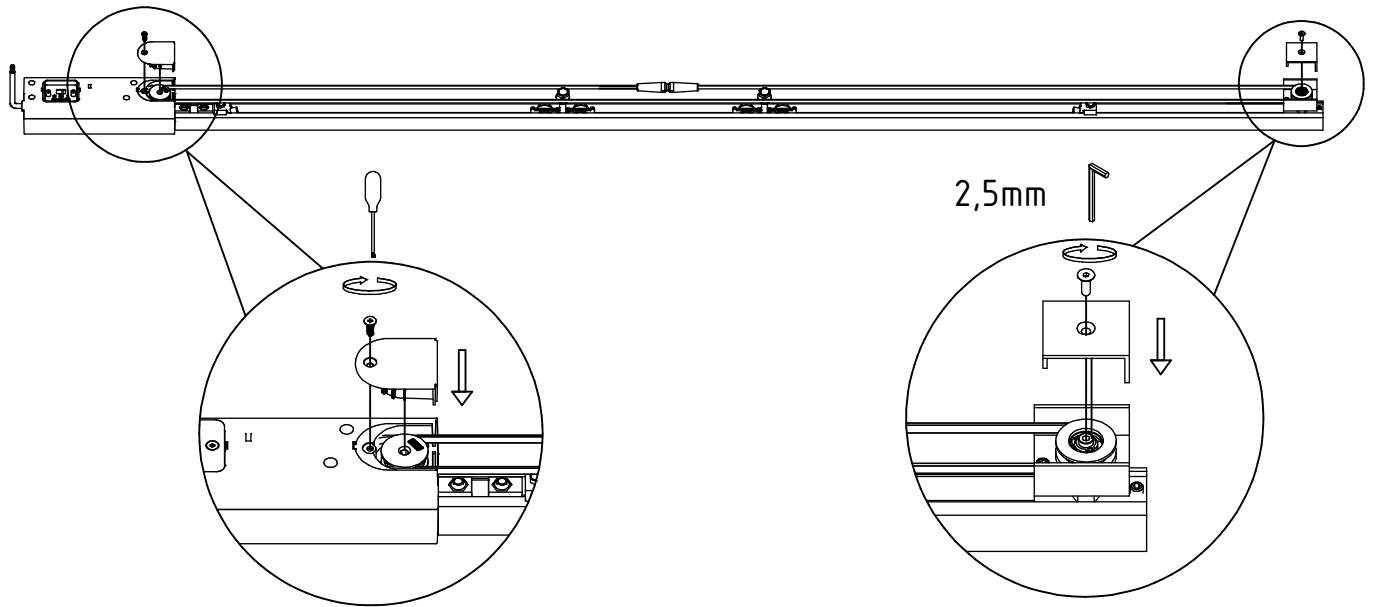
3.2



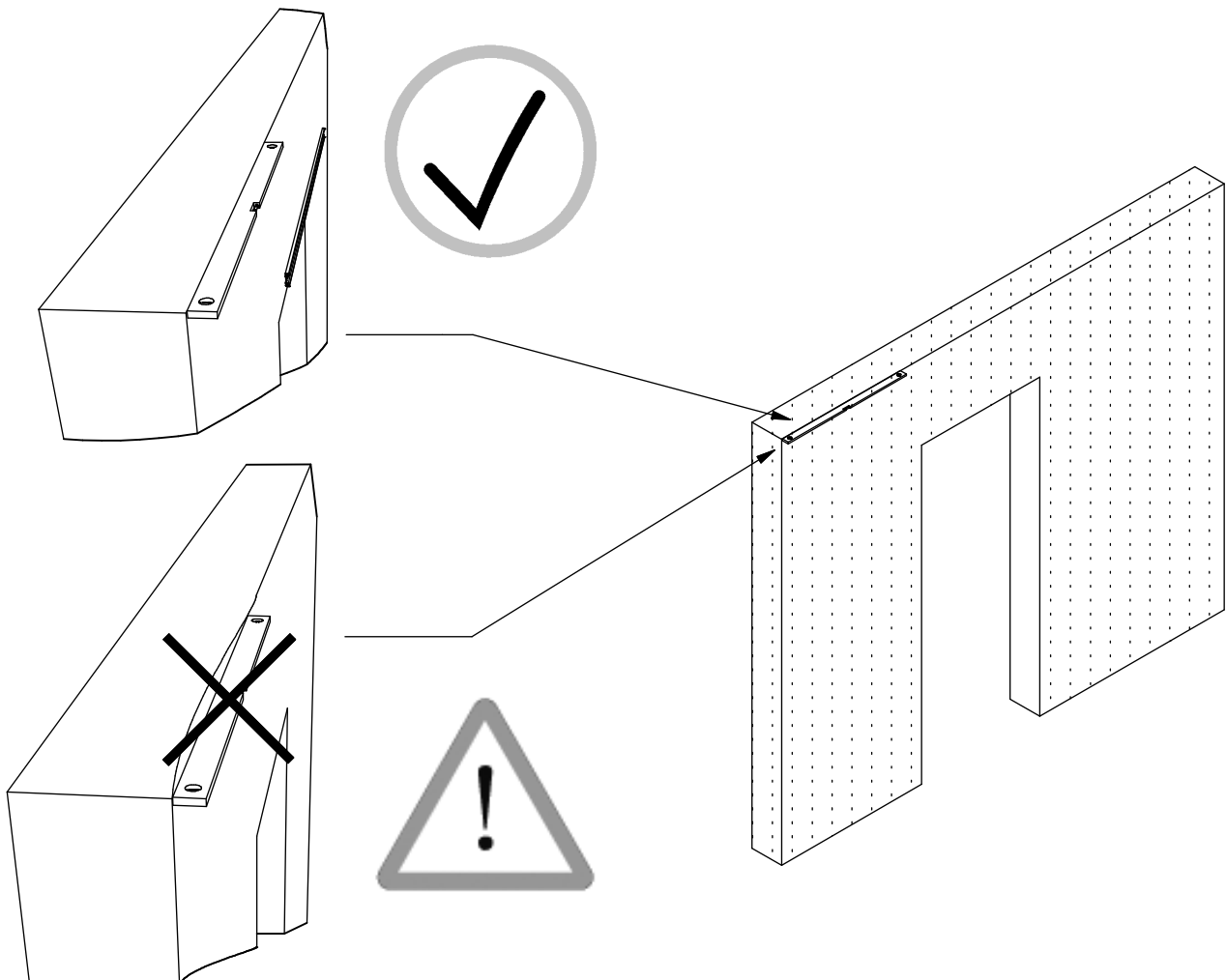
3.3



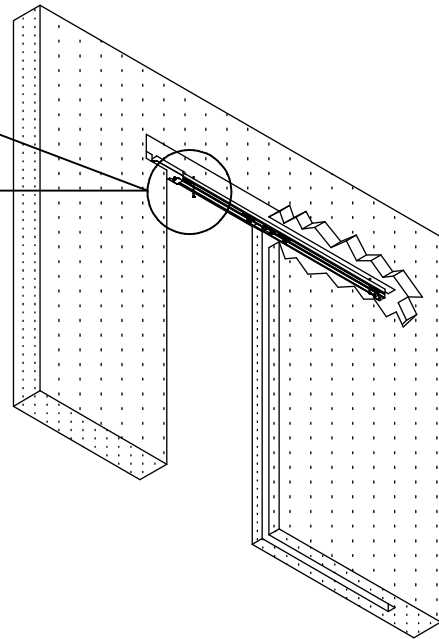
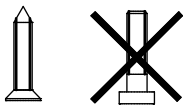
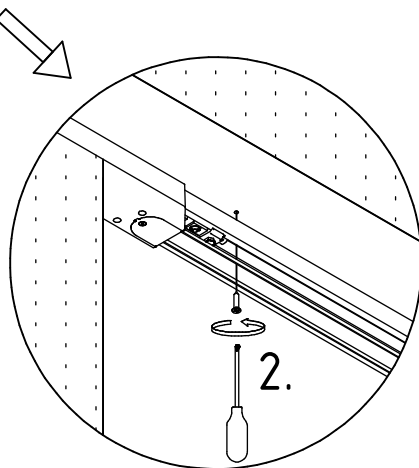
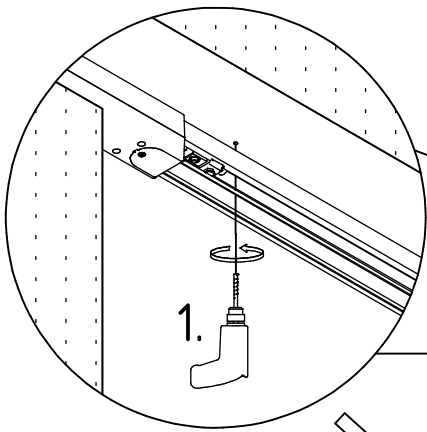
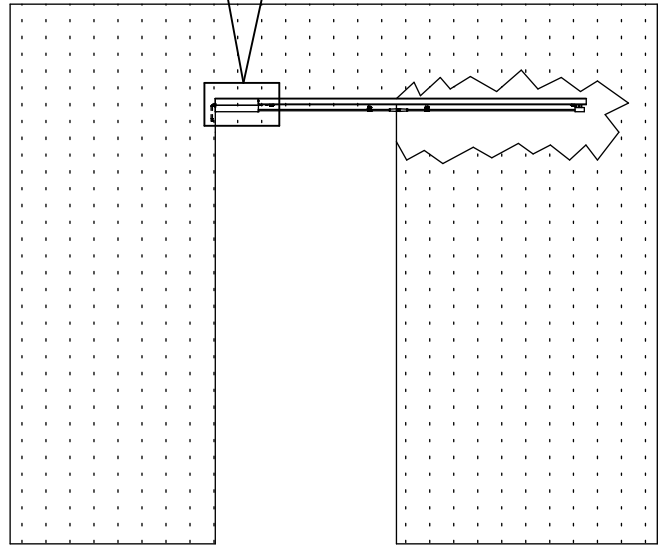
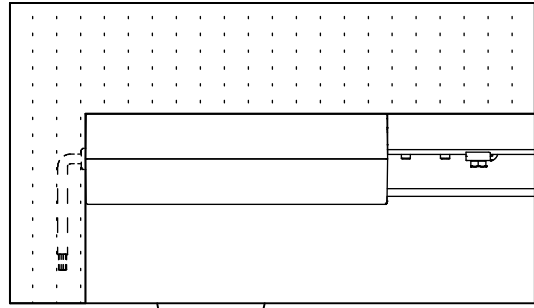
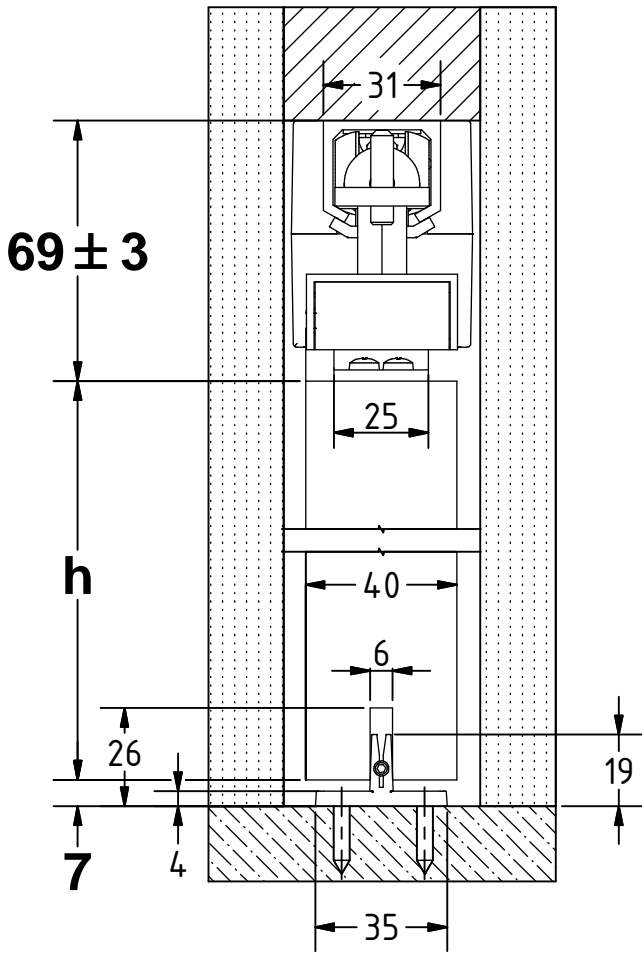
3.4



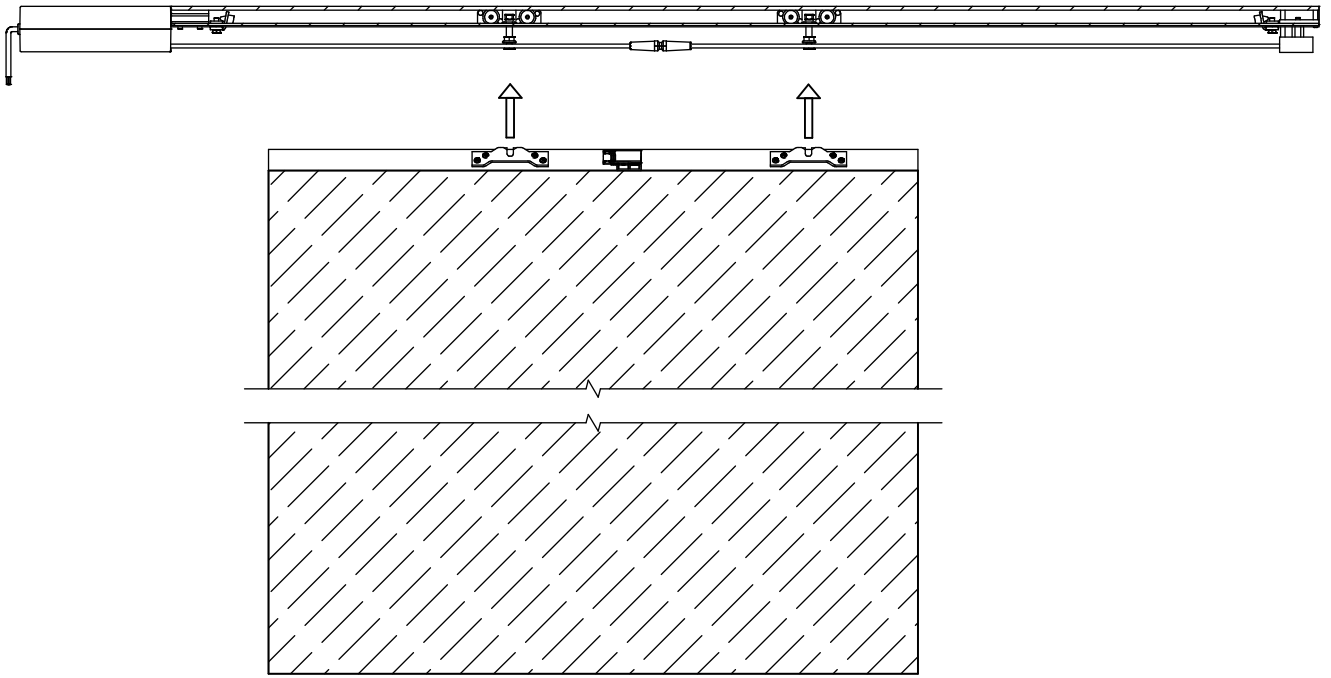
4.



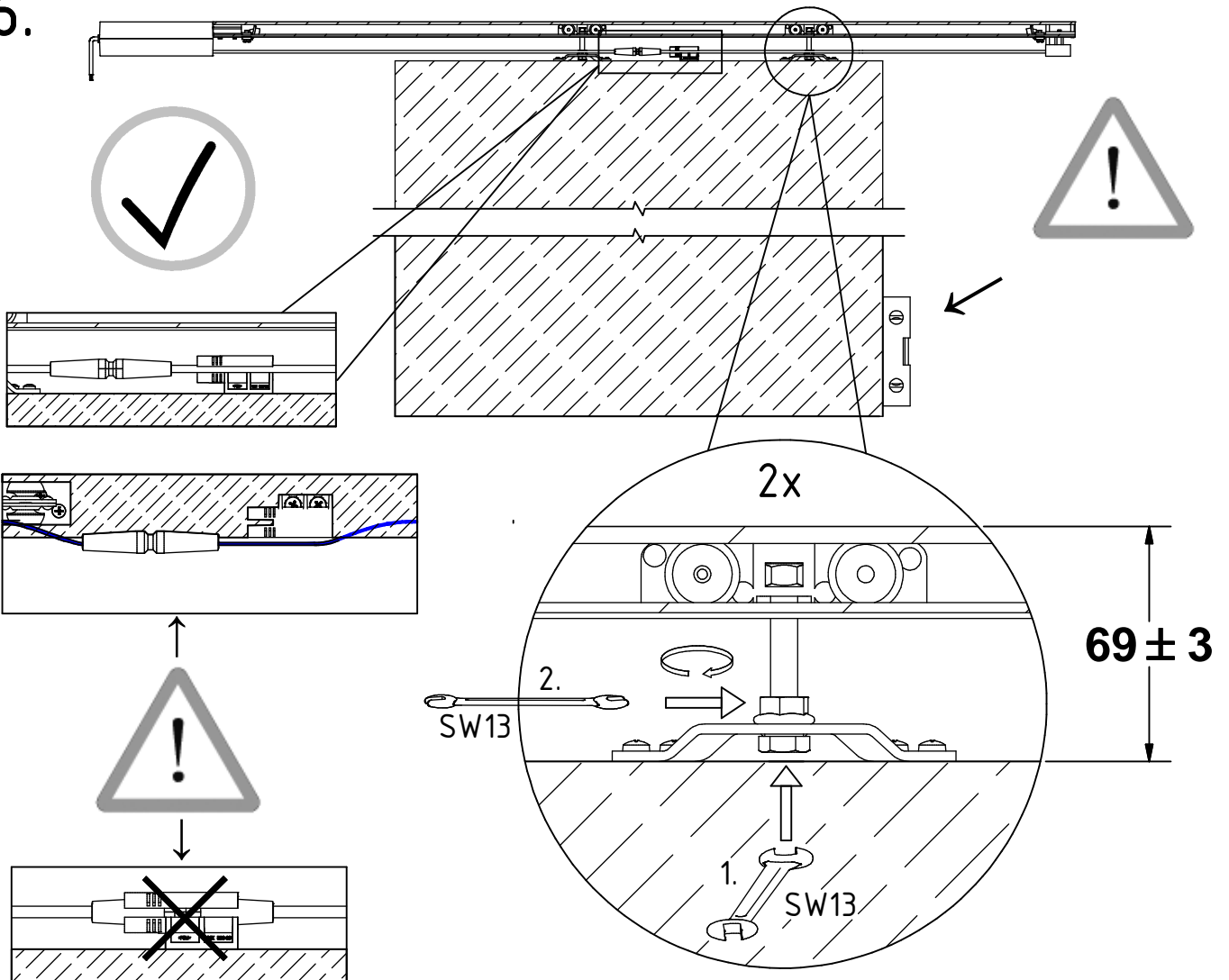
4.b



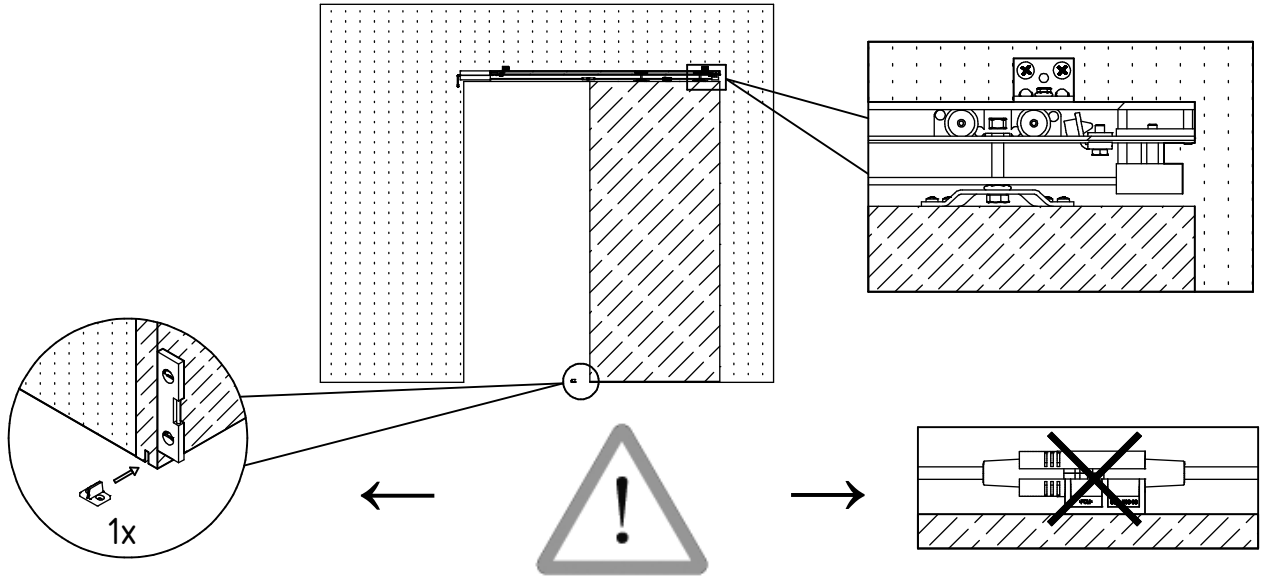
5.



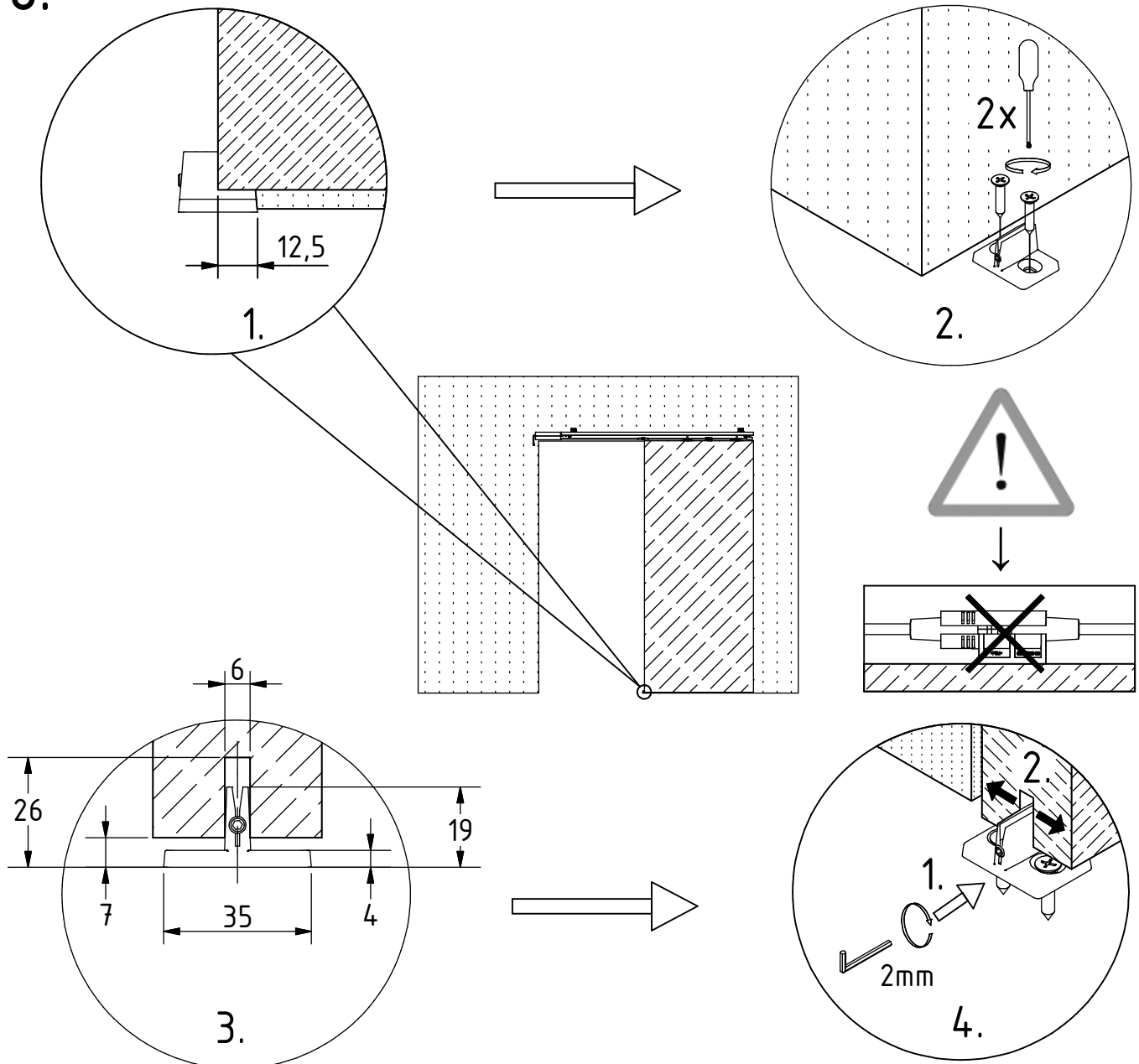
6.



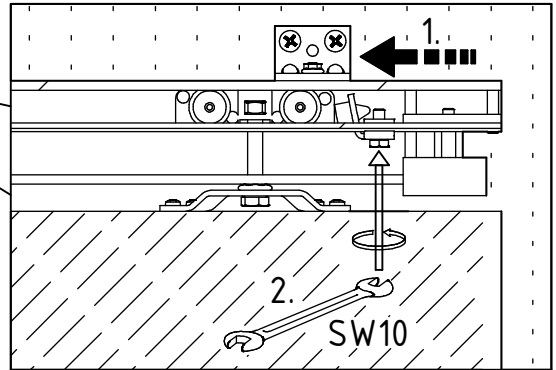
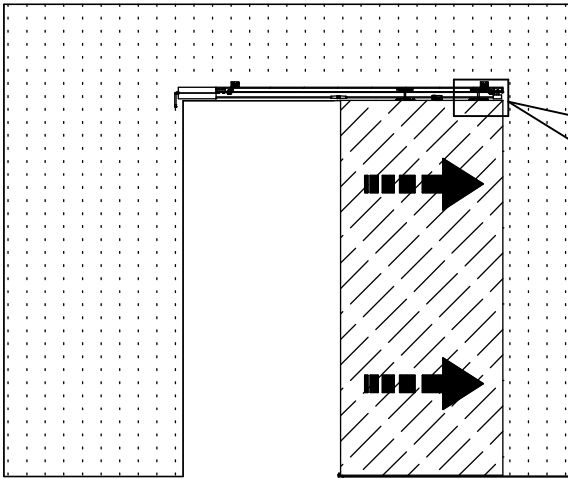
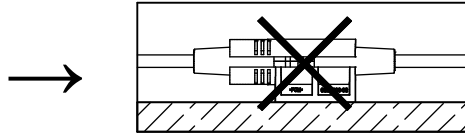
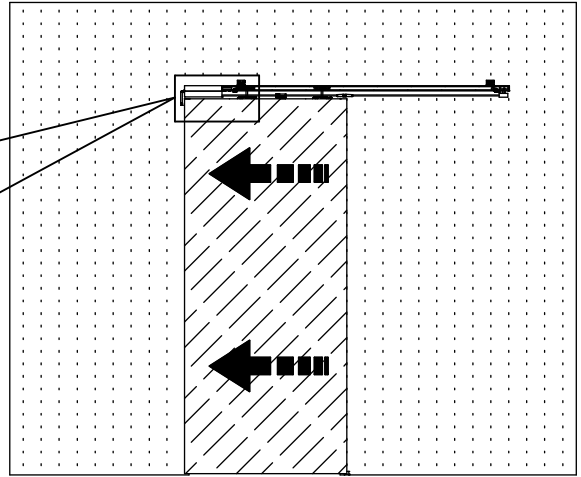
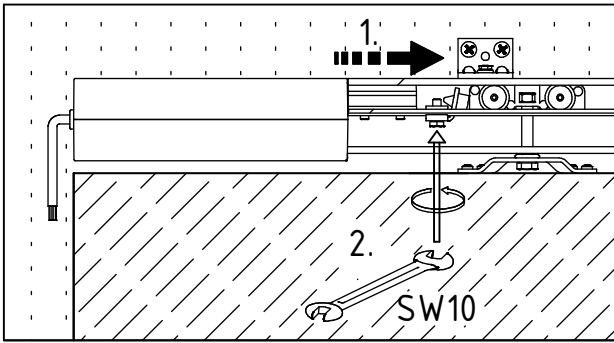
7.



8.



8.1



9.

