

# RolloTron Pro Standard

## Electronic flush-mounted belt winders

### Overview of advantages

- Ideal for all applications:  
For use with all popular belt boxes 36 mm wide and more
- Quick and easy to install:  
Fit and put into operation within 10 minutes
- Memory function:  
Simple repeat programmed time function  
Opening and closing times on a 24-hour cycle
- Auto / Manual switchover
- Sunlight / Darkness function with S/D sensor is available
- Quiet operation - ultra-convenient



9300



9300-AL



9300-AZ



### Equipment features

Item number	9300 (-XX)	9305	9340	9400 (-XX)	9405
Display	<input type="radio"/>	<input type="radio"/>	<input type="radio"/>	<input type="radio"/>	<input type="radio"/>
Auto / Manual	<input checked="" type="radio"/>	<input checked="" type="radio"/>	<input checked="" type="radio"/>	<input checked="" type="radio"/>	<input checked="" type="radio"/>
Day programme	<input checked="" type="radio"/>	<input checked="" type="radio"/>	<input checked="" type="radio"/>	<input checked="" type="radio"/> *	<input checked="" type="radio"/> *
Week programme	<input type="radio"/>	<input type="radio"/>	<input type="radio"/>	<input checked="" type="radio"/> *	<input checked="" type="radio"/> *
Random controller	<input type="radio"/>	<input type="radio"/>	<input type="radio"/>	<input checked="" type="radio"/> *	<input checked="" type="radio"/> *
"Astro" programme	<input type="radio"/>	<input type="radio"/>	<input type="radio"/>	<input checked="" type="radio"/> *	<input checked="" type="radio"/> *
Sunlight / Darkness automatic mode is available	<input checked="" type="radio"/>	<input checked="" type="radio"/>	<input checked="" type="radio"/>	<input checked="" type="radio"/> *	<input checked="" type="radio"/> *
S/D sensor included	<input type="radio"/>	<input type="radio"/>	<input type="radio"/>	<input type="radio"/>	<input type="radio"/>
DCF radio timer	<input type="radio"/>	<input type="radio"/>	<input type="radio"/>	<input type="radio"/>	<input type="radio"/>
Summer / Winter changeover	<input type="radio"/>	<input type="radio"/>	<input type="radio"/>	<input type="radio"/>	<input type="radio"/>
Key lock	<input type="radio"/>	<input type="radio"/>	<input type="radio"/>	<input type="radio"/>	<input type="radio"/>
IR remote control	<input type="radio"/>	<input type="radio"/>	<input type="radio"/>	<input type="radio"/>	<input type="radio"/>
Bi-directional DuoFern radio technology	<input type="radio"/>	<input type="radio"/>	<input type="radio"/>	<input checked="" type="radio"/>	<input checked="" type="radio"/>
23 mm belt width	<input checked="" type="radio"/>	<input checked="" type="radio"/>	<input type="radio"/>	<input checked="" type="radio"/>	<input checked="" type="radio"/>
15 mm belt width	<input type="radio"/>	<input type="radio"/>	<input checked="" type="radio"/>	<input type="radio"/>	<input type="radio"/>
Colour:					
Ultra-white	<input checked="" type="radio"/>	<input checked="" type="radio"/>	<input checked="" type="radio"/>	<input checked="" type="radio"/>	<input checked="" type="radio"/>
Aluminium (-AL)	<input checked="" type="radio"/>	<input type="radio"/>	<input type="radio"/>	<input checked="" type="radio"/>	<input type="radio"/>
Anthracite (-AZ)	<input checked="" type="radio"/>	<input type="radio"/>	<input type="radio"/>	<input checked="" type="radio"/>	<input type="radio"/>

● Yes / ○ No

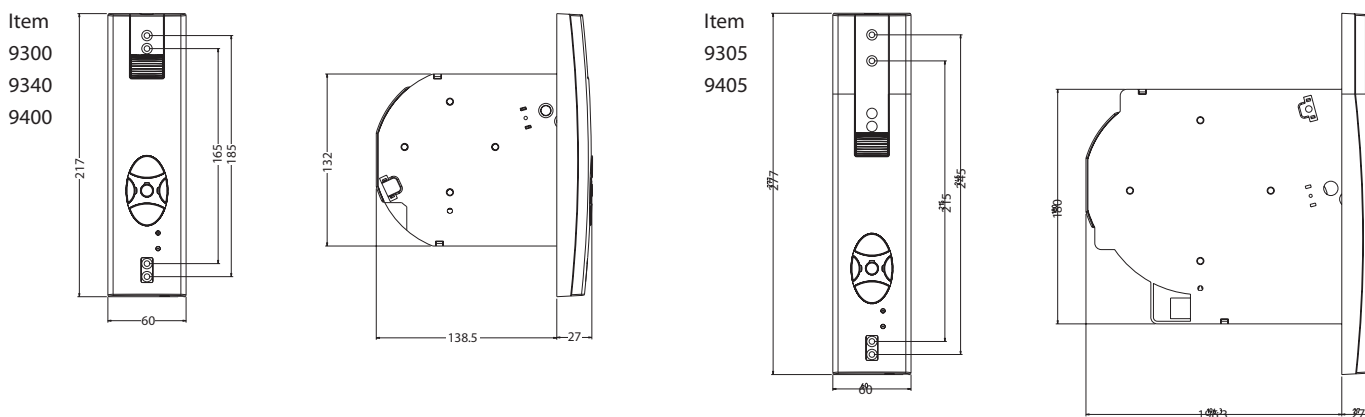
\*In conjunction with types 9493, 980x.



Technical specifications					
Item number	9300 (-XX)	9305	9340	9400 (-XX)	9405
Supply voltage	230 V / 50 Hz	230 V / 50 Hz	230 V / 50 Hz	230 V / 50 Hz	230 V / 50 Hz
Nominal power	approx. 70 w	approx. 70 w	approx. 70 w	approx. 70 w	approx. 70 w
Standby consumption	< 1.4 w	< 1.4 w	< 1.4 w	< 1.4 w	< 1.4 w
Nominal torque	approx. 10 Nm	approx. 14 Nm	approx. 10 Nm	approx. 10 Nm	approx. 14 Nm
Transient operation	5 min	5 min	5 min	5 min	5 min
Return path	< 0.4 r	< 0.4 r	< 0.4 r	< 0.4 r	< 0.4 r
Protection class	II (only for use in dry areas)	II (only for use in dry areas)	II (only for use in dry areas)	II (only for use in dry areas)	II (only for use in dry areas)
Permissible ambient temperature	0 to 40 °C	0 to 40 °C	0 to 40 °C	0 to 40 °C	0 to 40 °C
Housing material	recyclable plastic	recyclable plastic	recyclable plastic	recyclable plastic	recyclable plastic
Sensitivity to sunlight	2,000–20,000 Lux	2,000–20,000 Lux	2,000–20,000 Lux	–	–
Sensitivity to darkness	2–50 Lux	2–50 Lux	2–50 Lux	–	–
Transmission frequency	–	–	–	434.5 MHz	434.5 MHz
Transmission power	–	–	–	10 mW	10 mW
Number of switching times:	2	2	2	0 (extendable)	0 (extendable)
Winding capacity (belt width 23 mm)					
1.0 mm belt thickness	7.6 m	15 m	–	7.6 m	15 m
1.3 mm belt thickness	6.2 m	12 m	–	6.2 m	12 m
Winding capacity (belt width 15 mm)					
1.0 mm belt thickness	–	–	7.6 m	–	–
Permissible shutter surface area (m <sup>2</sup> ) These figures are for guidance only. Normal friction with roller shutters has been taken into account.					
4 kg/m <sup>2</sup> (e.g. lightweight aluminium and plastic roller shutters)	approx. 6 m <sup>2</sup>	approx. 10 m <sup>2</sup>	approx. 6 m <sup>2</sup>	approx. 6 m <sup>2</sup>	approx. 10 m <sup>2</sup>
7 kg/m <sup>2</sup> (e.g. heavyweight aluminium and wooden roller shutters)	approx. 3 m <sup>2</sup>	approx. 6 m <sup>2</sup>	approx. 3 m <sup>2</sup>	approx. 3 m <sup>2</sup>	approx. 6 m <sup>2</sup>
Tractive force					
Maximum tractive output	45 kg	60 kg	45 kg	45 kg	60 kg

Complies with the European Low Voltage Directive and EMC Directive and conforms to EN60335-1 and EN60335-2-97

### Dimensions



### RolloHomeControl – controllers for use with the RolloTron Pro Standard DuoFern and Pro Standard Plus DuoFern



### DuoFern

The intelligent bi-directional radio system for home automation.