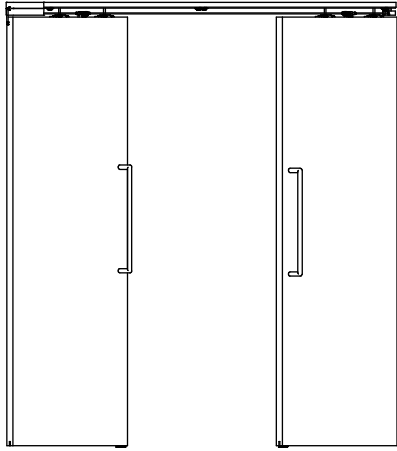


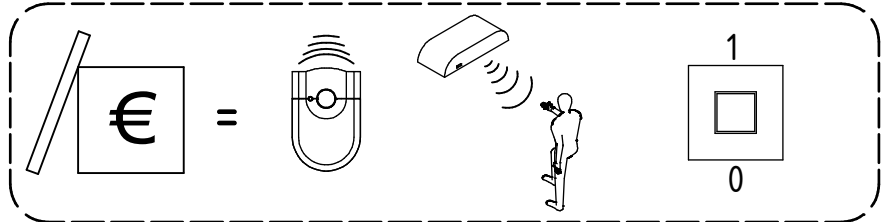
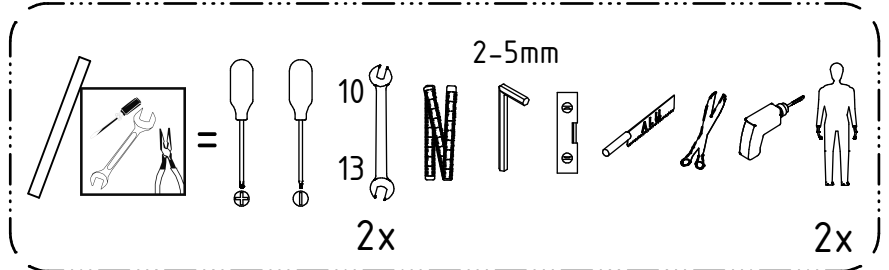
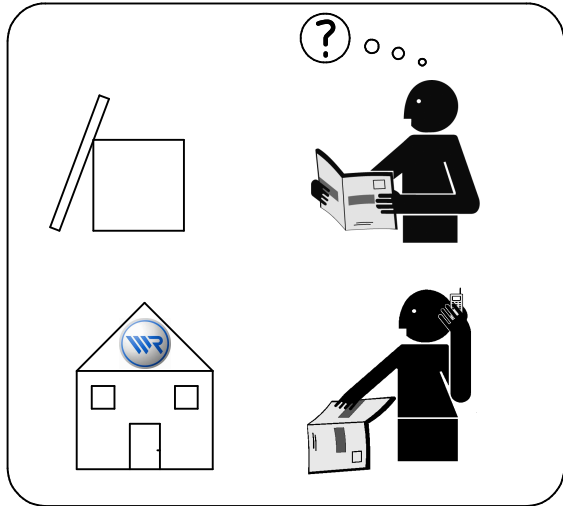


RADEMACHER

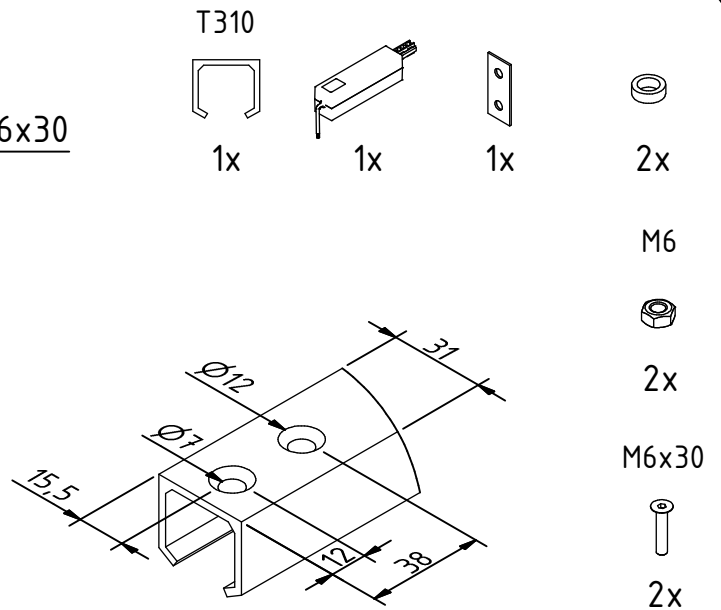
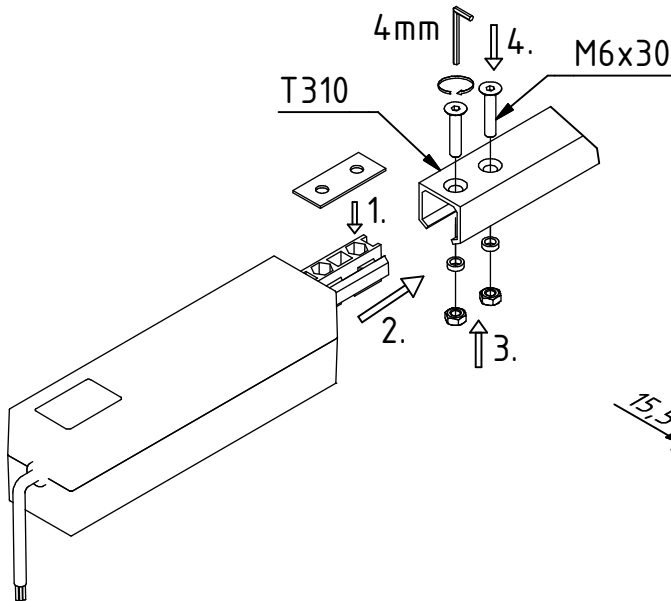
ALU 80 synchron



4x	4x	1x	1x	4x	2x	
T310						
1x2000mm + 1x2200mm	1x	2x	12x	1x	2x	
M6x30	M6	M8x55	M8	4,5x30	3,5x19	A5,3
2x	2x	4x	4x	16x	4x	4x

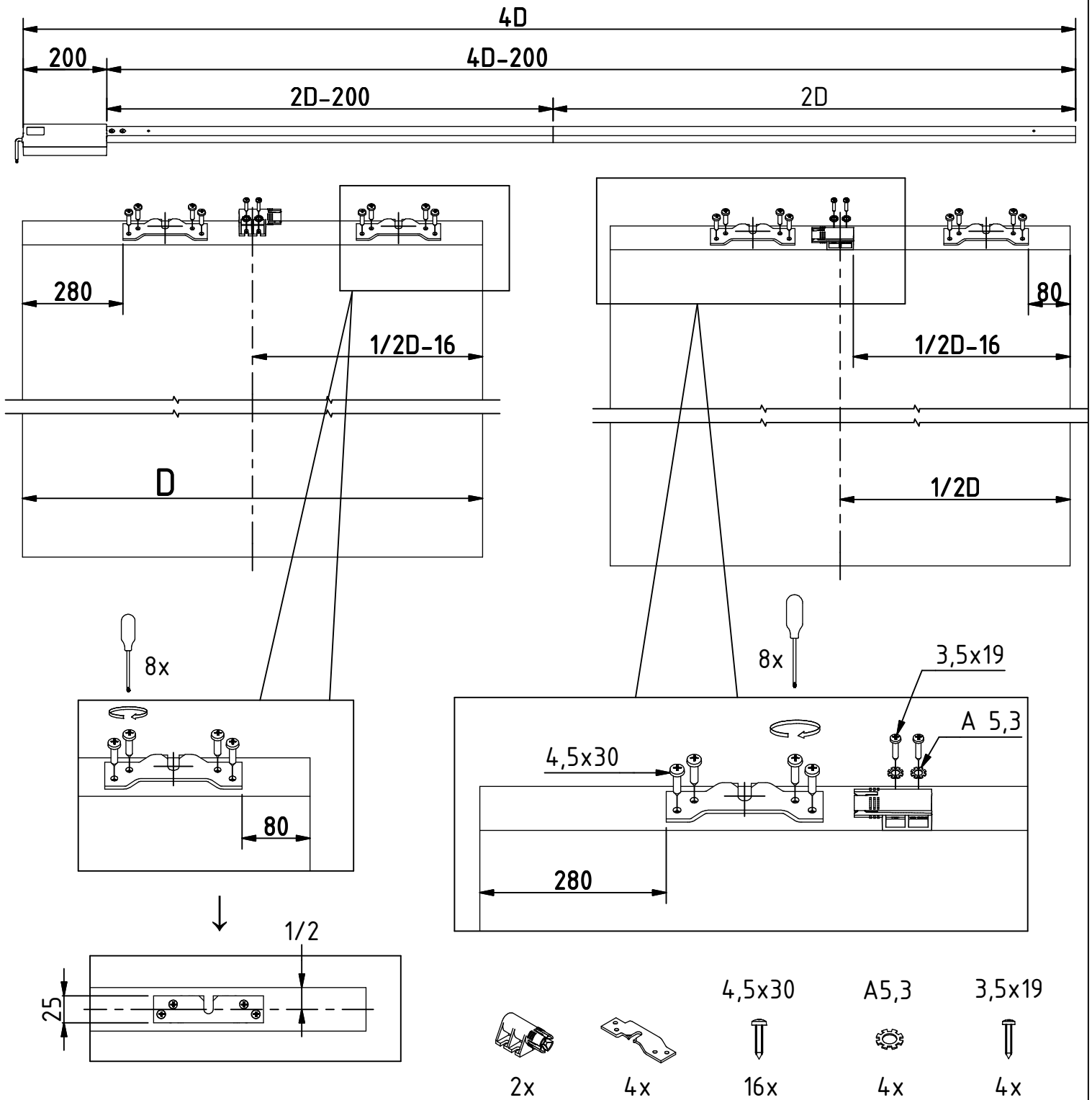


1.

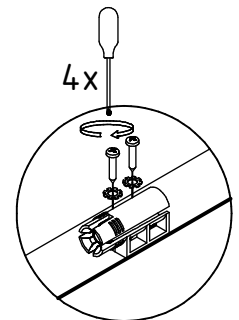
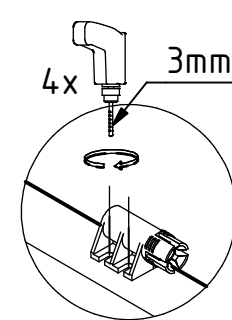
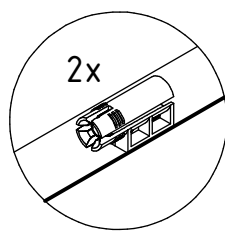


1.1

ALU 80 synchron



40mm →

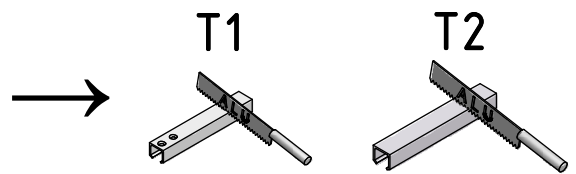


1.2

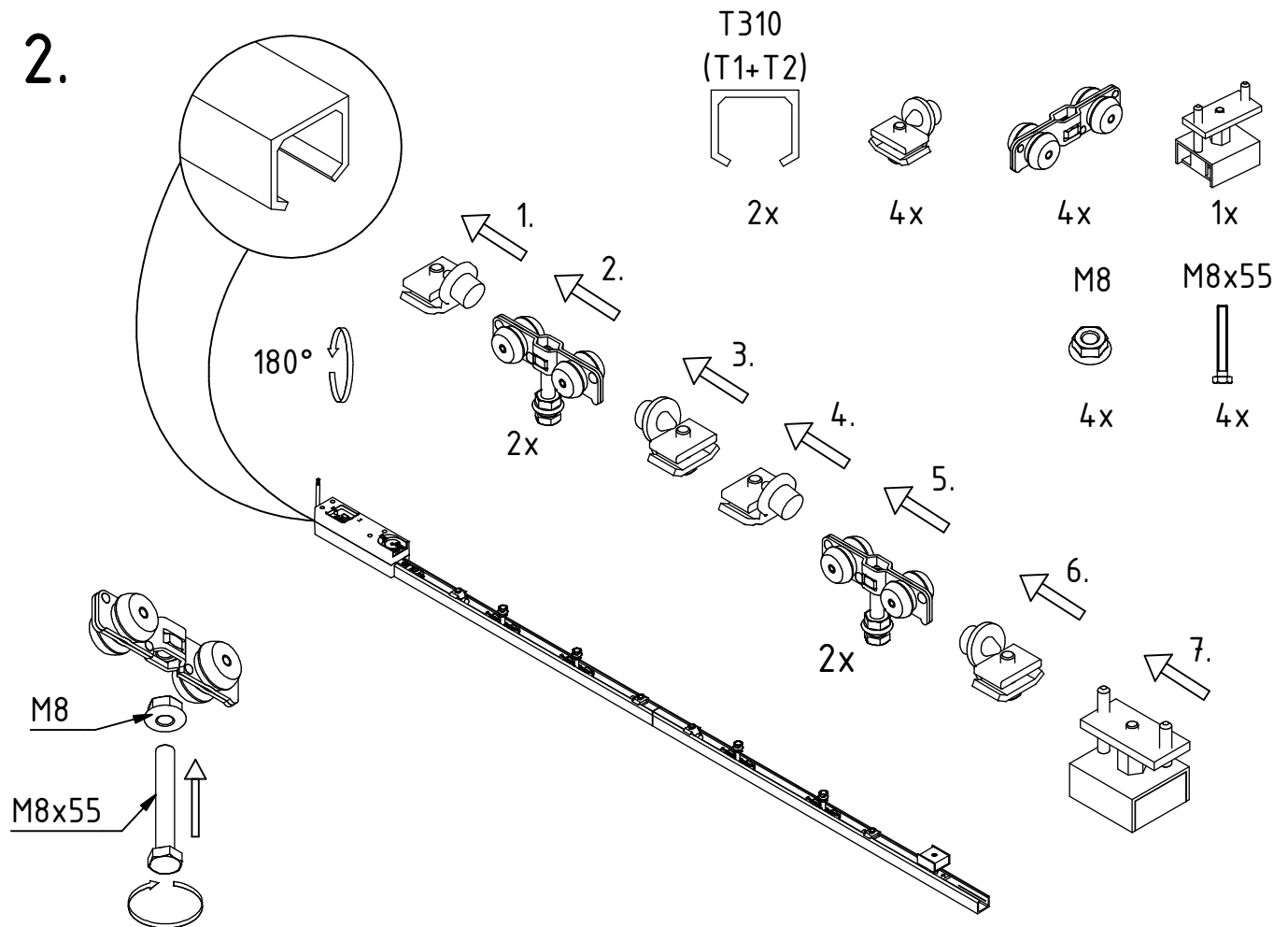
ALU 80 synchron

	1. 	T2 	T1
2x max. 40kg	2D-200	2D	
min. 800mm	1400mm	1600mm	1600mm
850mm	1500mm	1700mm	1700mm
860mm	1520mm	1720mm	1720mm
900mm	1600mm	1800mm	1800mm
950mm	1700mm	1900mm	1900mm
985mm	1770mm	1970mm	1970mm
1000mm	1800mm	2000mm	2000mm
1050mm	1900mm	2100mm	2100mm
max. 1100mm	2000mm	2200mm	2200mm

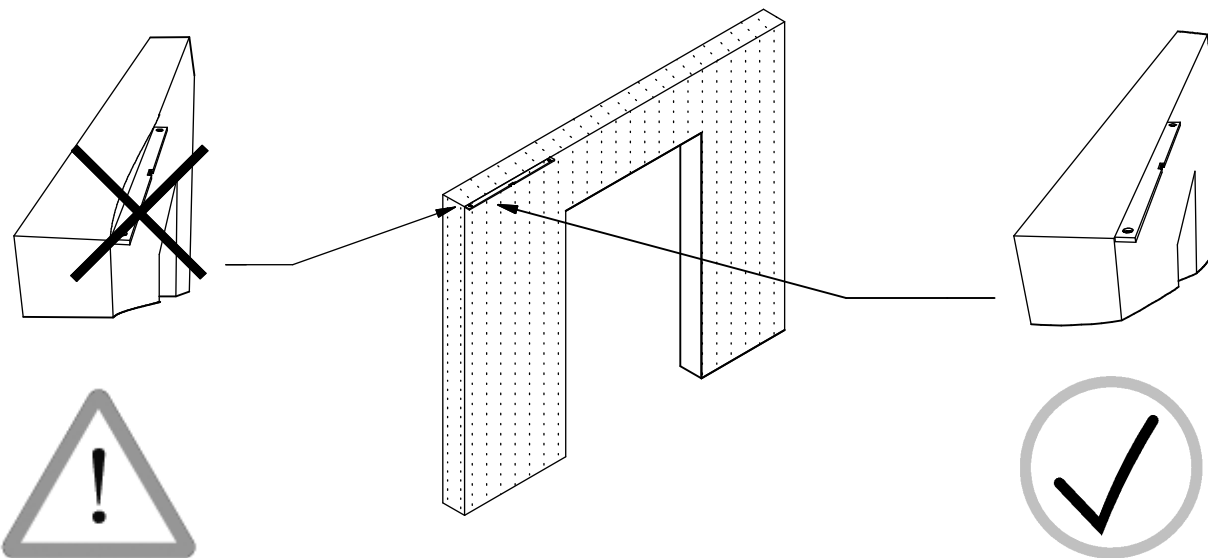
		3.a	3.b
30mm	-5mm	x	x
40mm	0mm	x	x
50mm	+5mm	x	x
60mm	+10mm	-	x



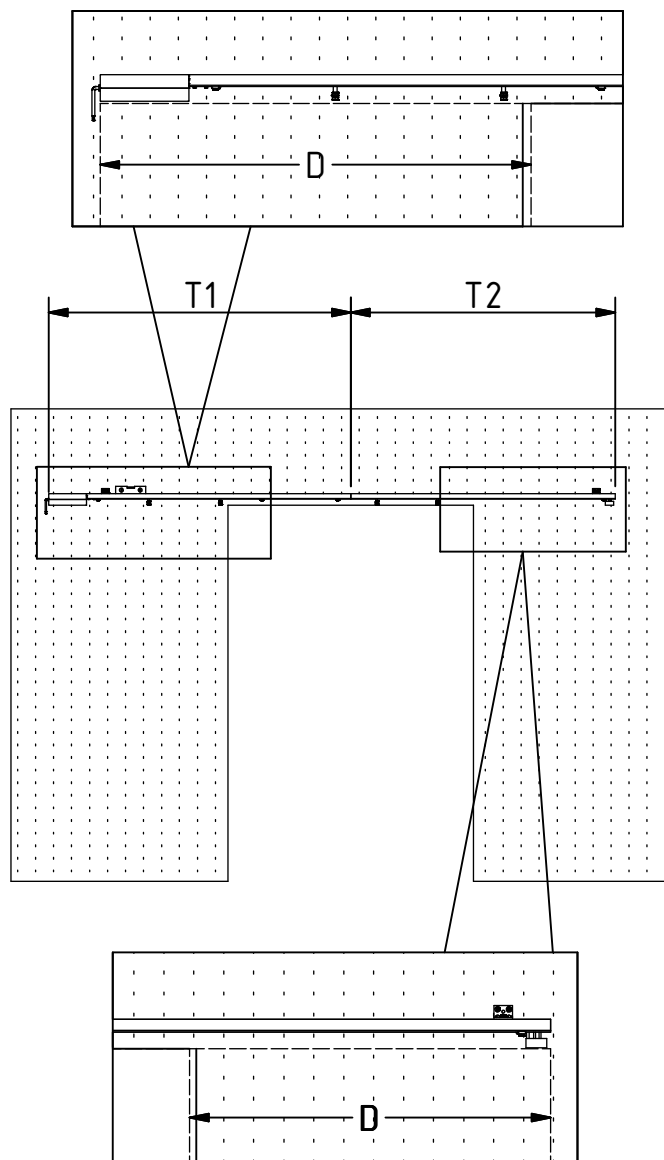
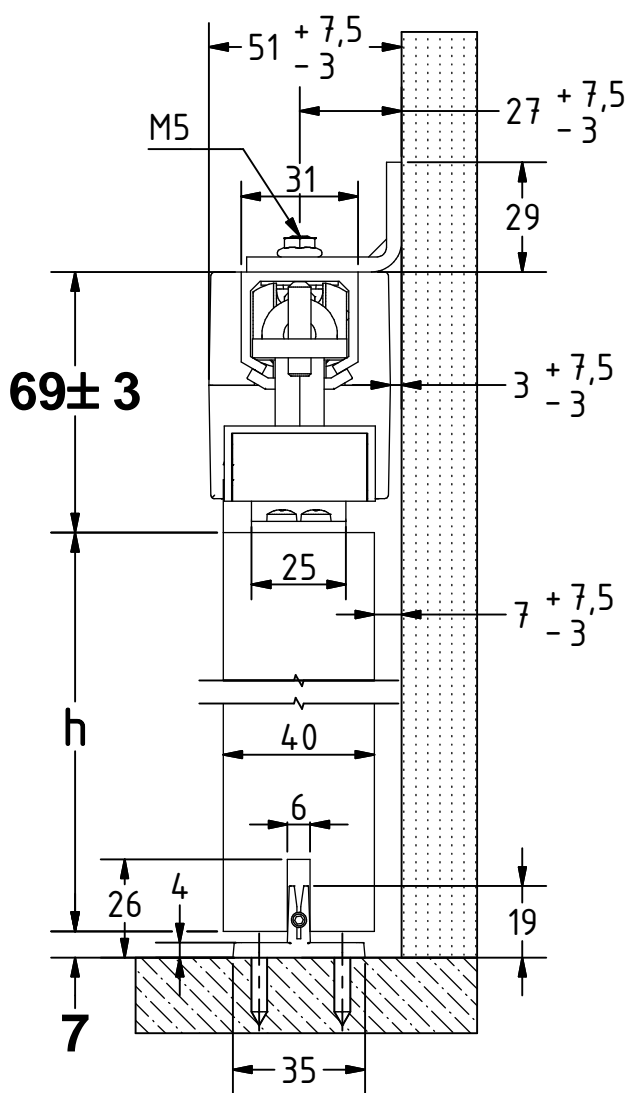
2.



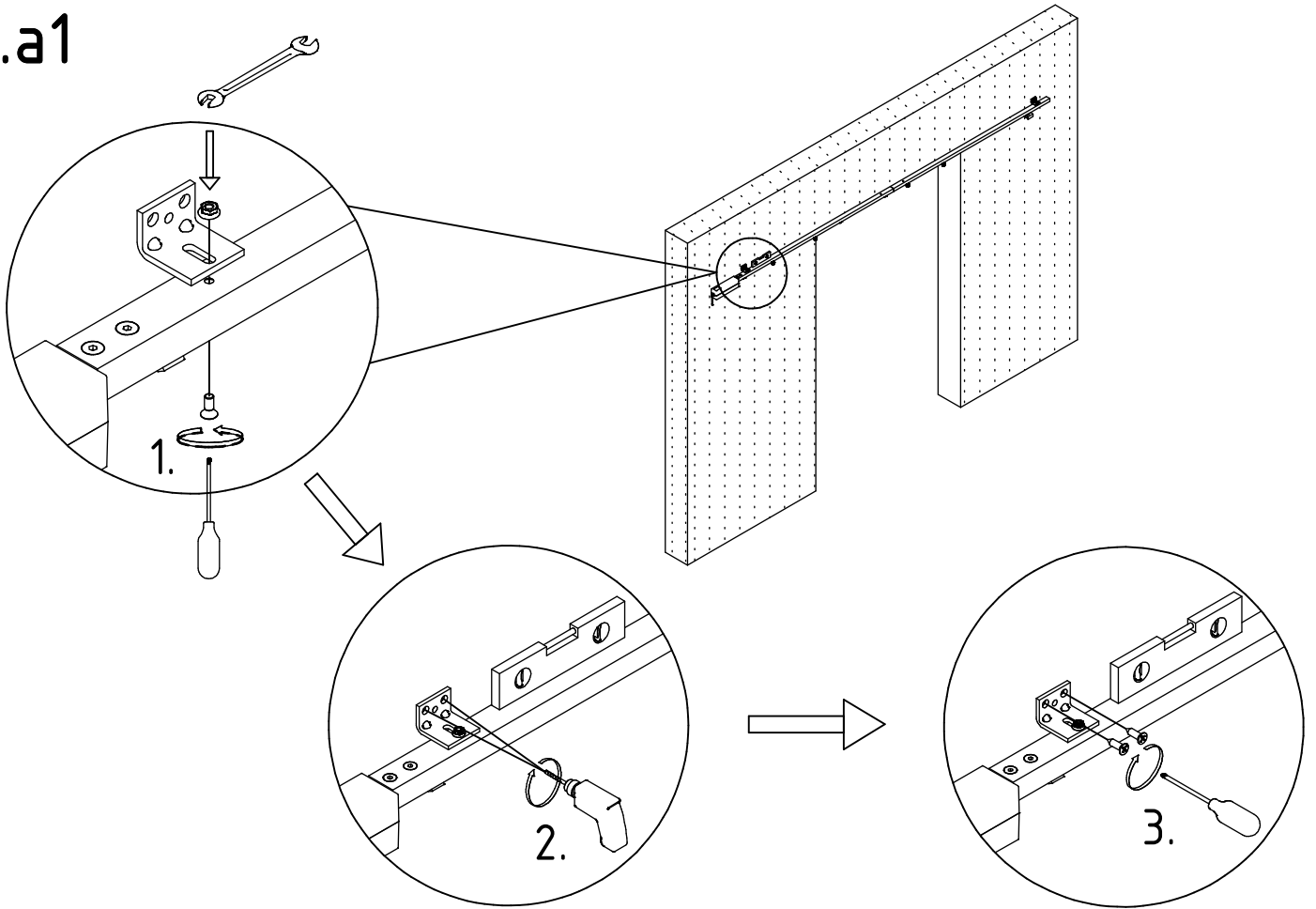
3.



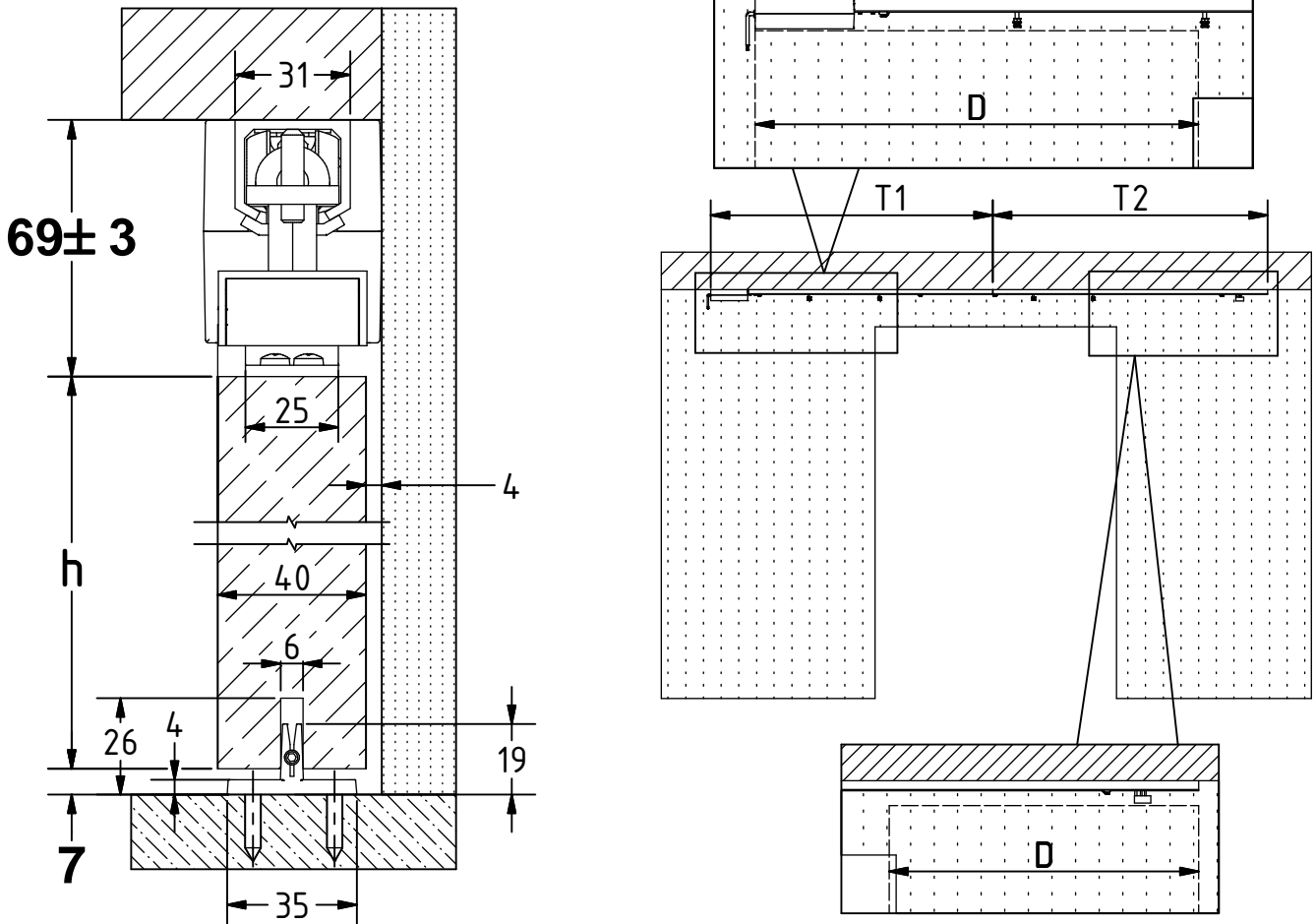
3.a



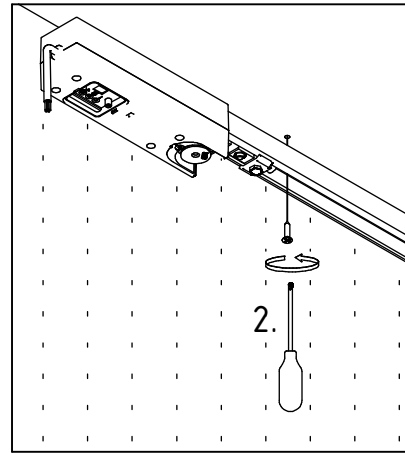
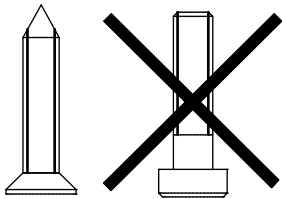
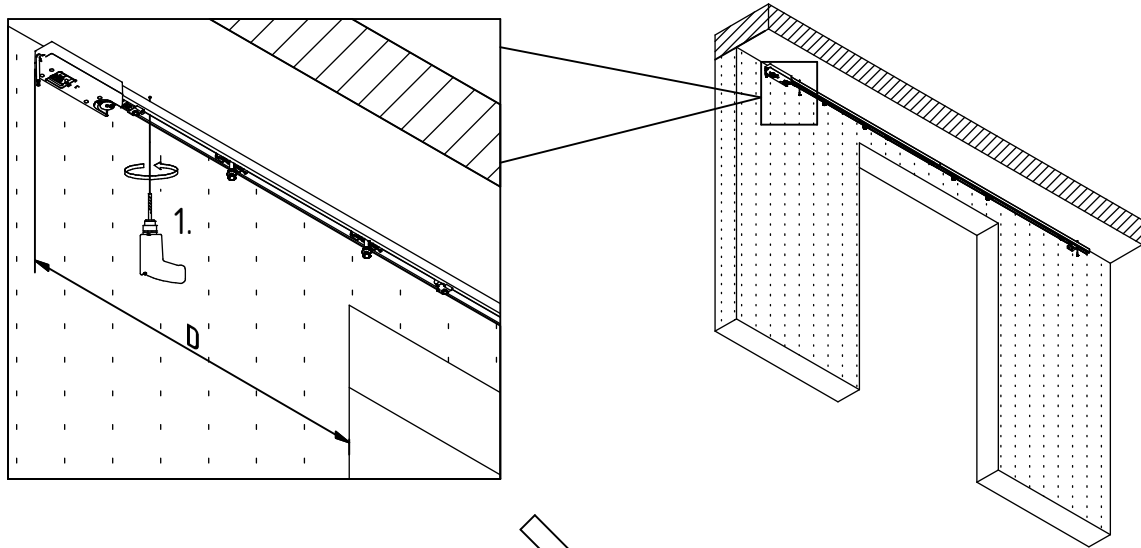
3.a1



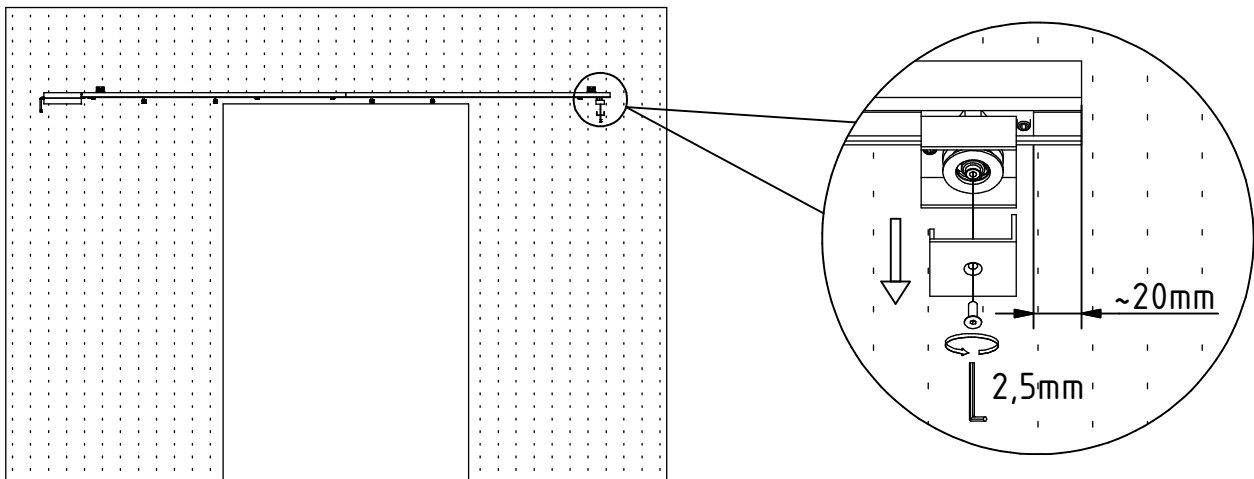
3.b



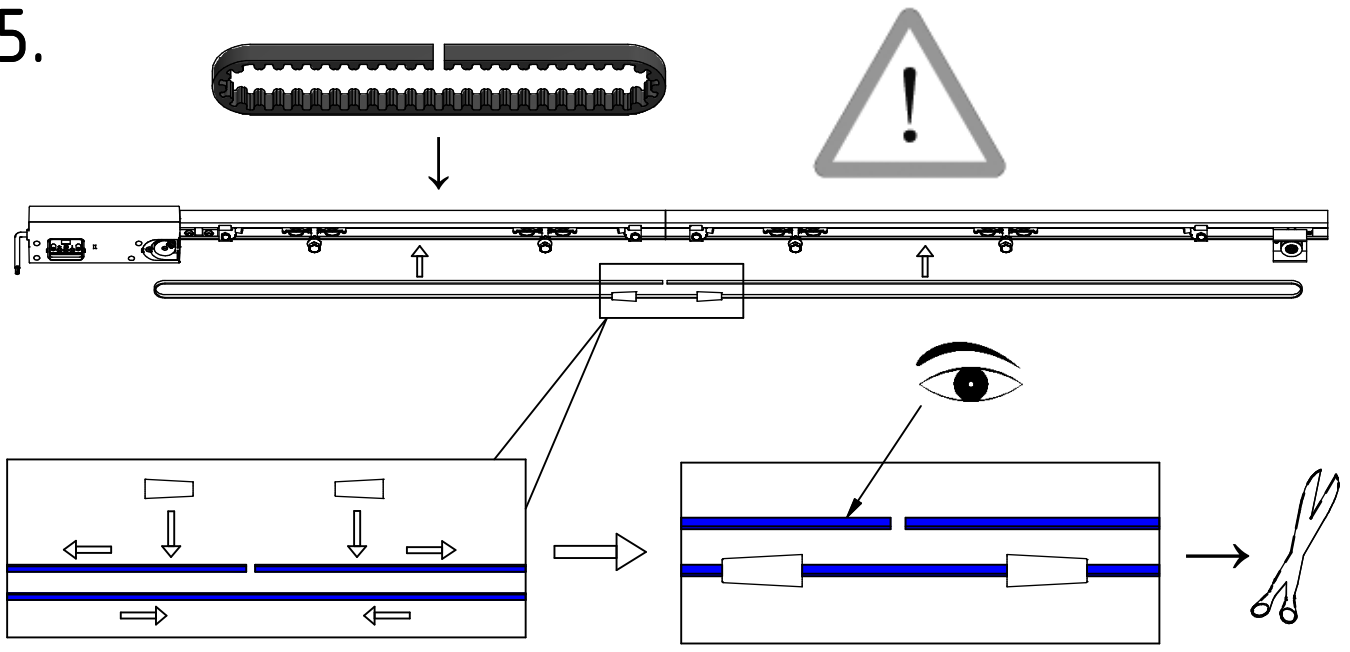
3.b1



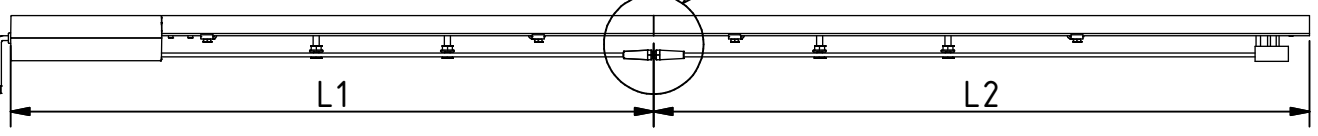
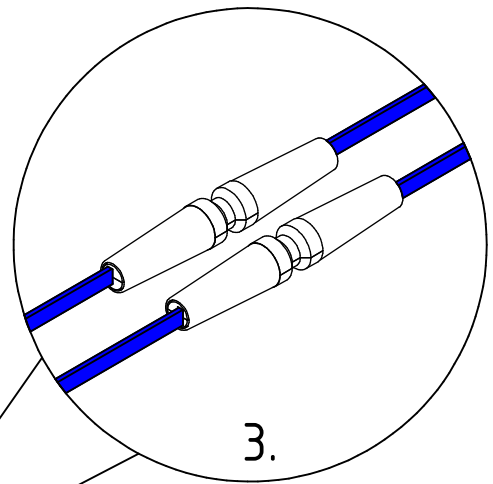
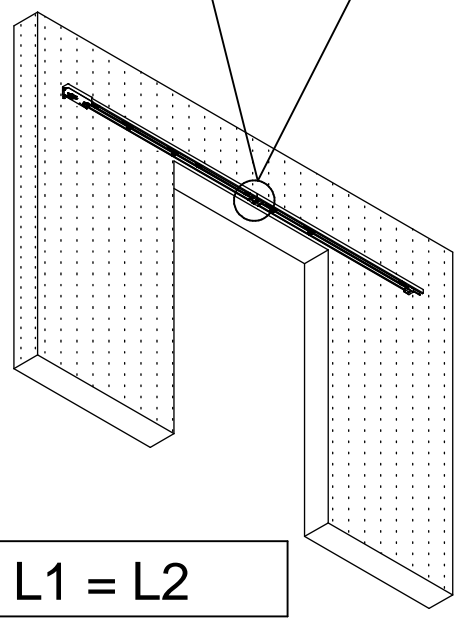
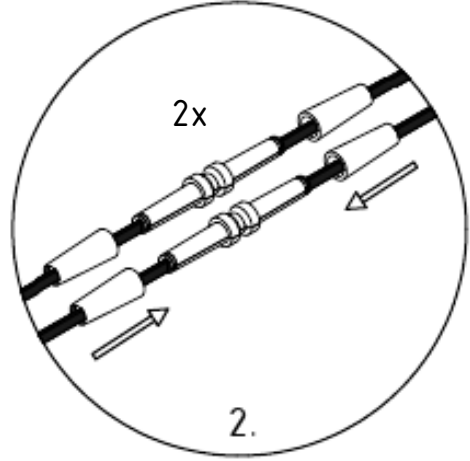
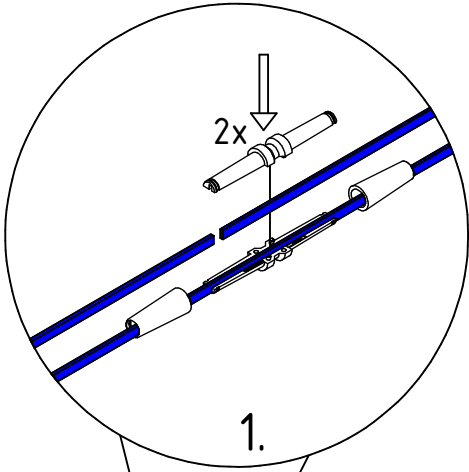
4.



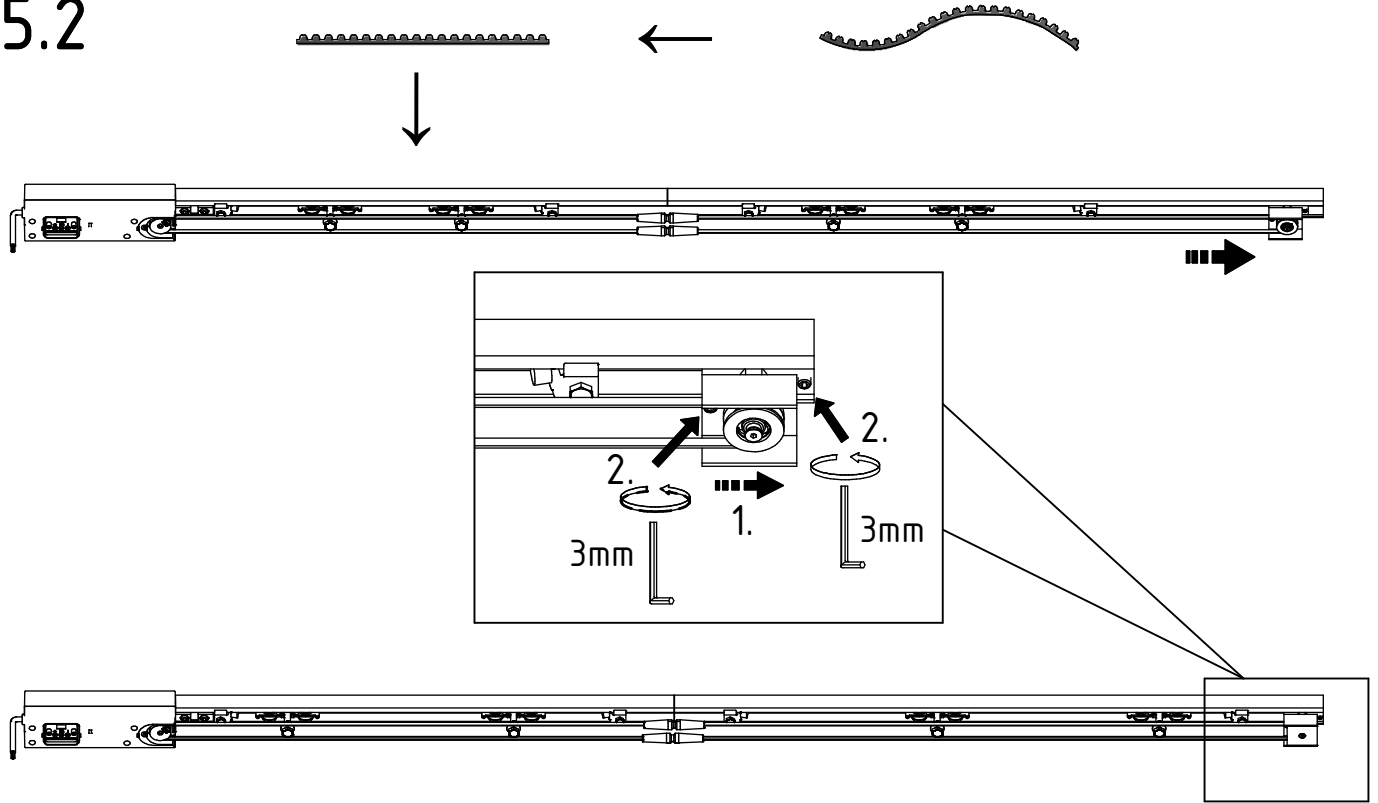
5.



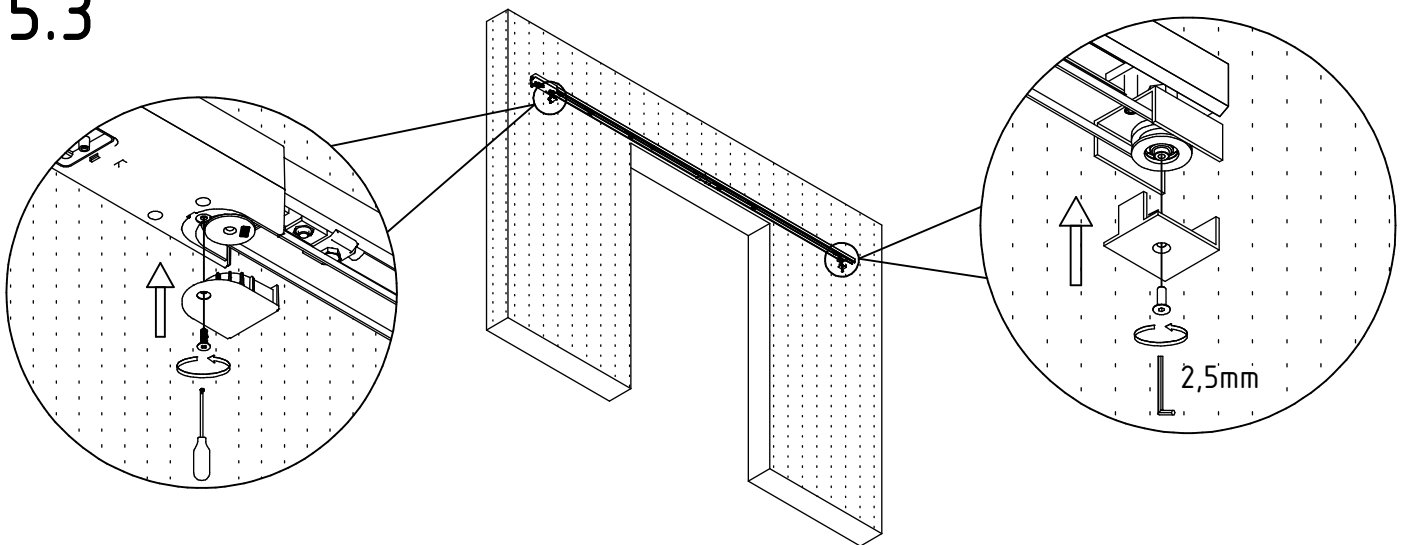
5.1



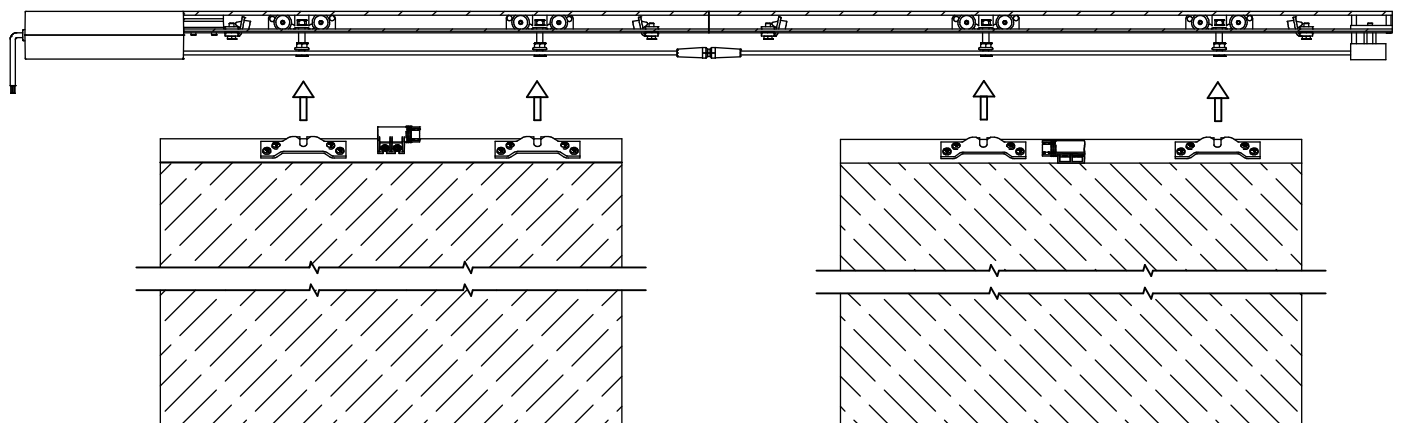
5.2



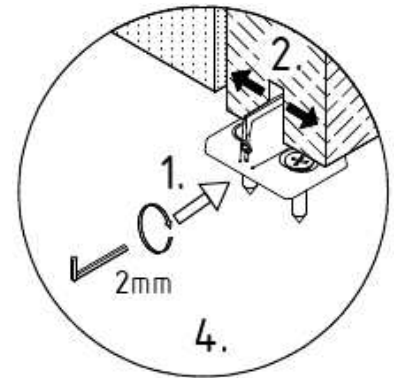
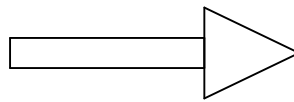
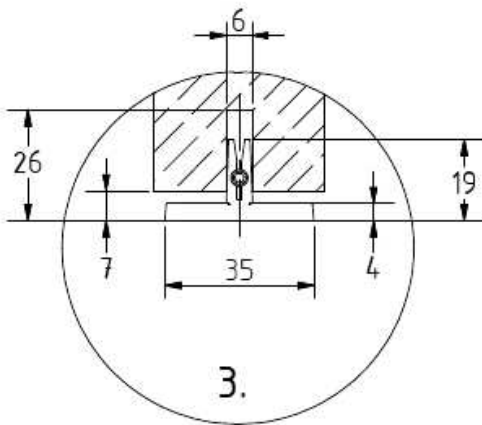
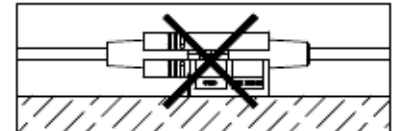
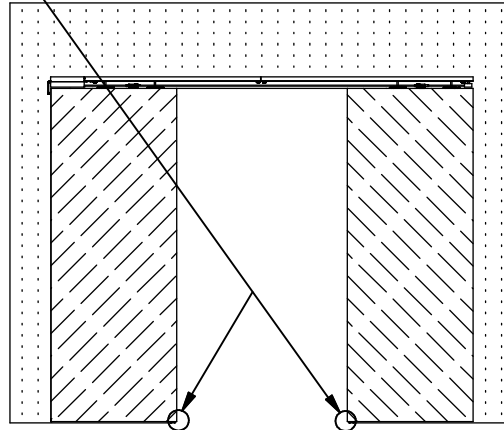
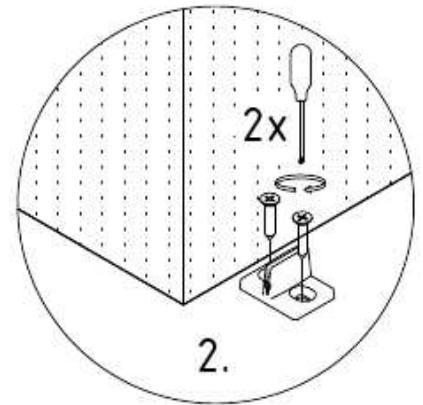
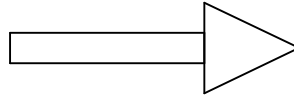
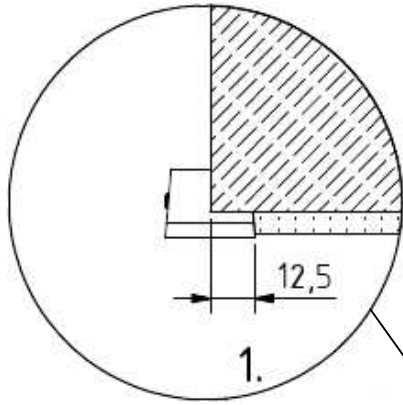
5.3



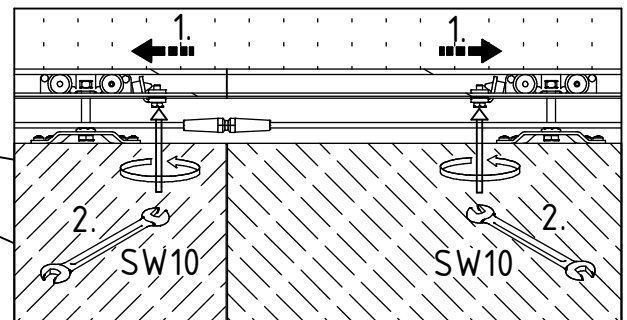
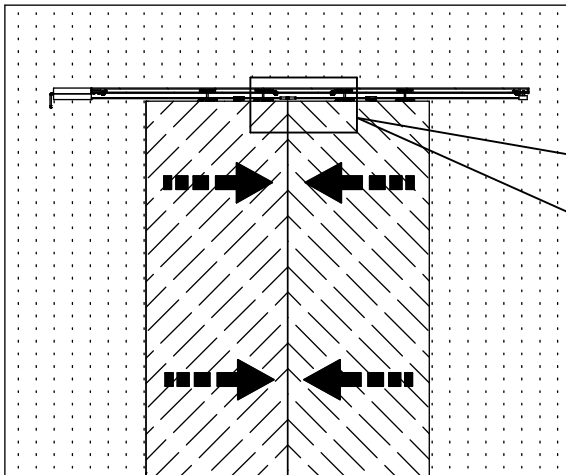
6.



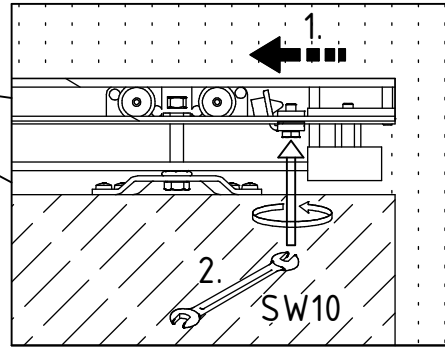
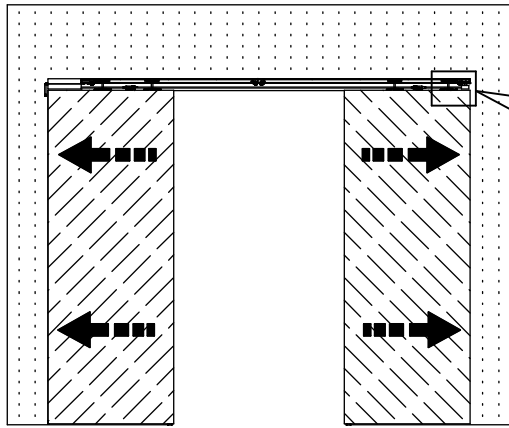
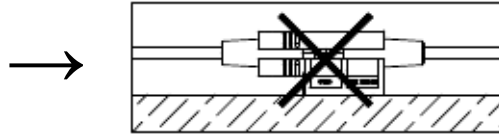
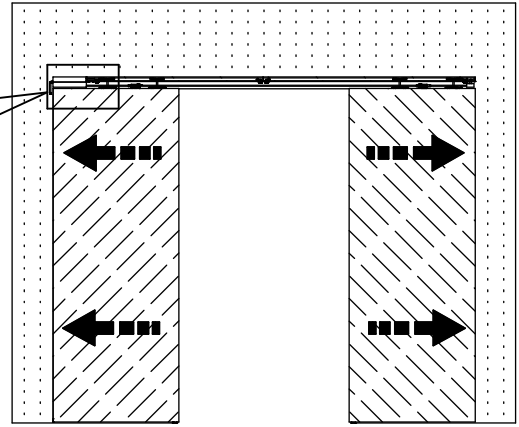
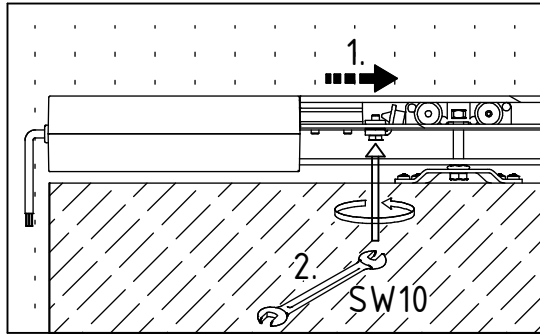
8.2



9.1



9.2



10.

