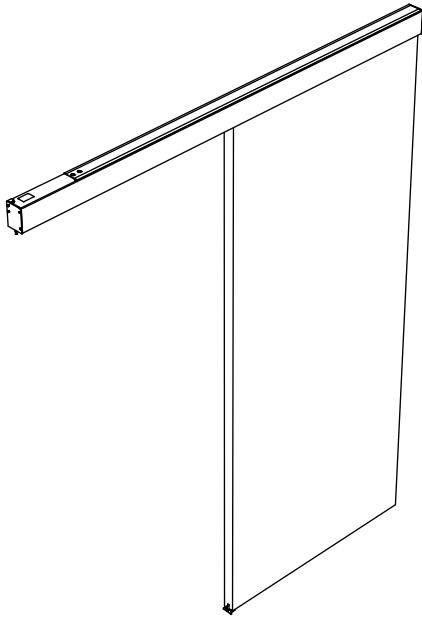


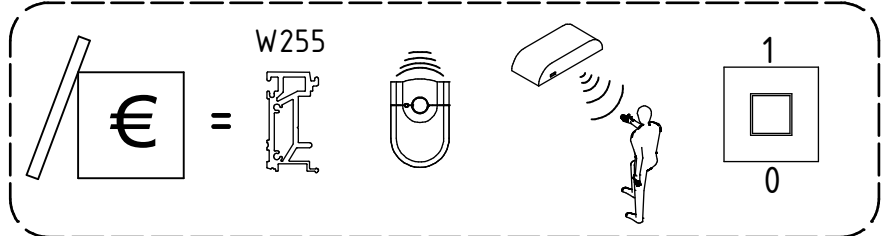
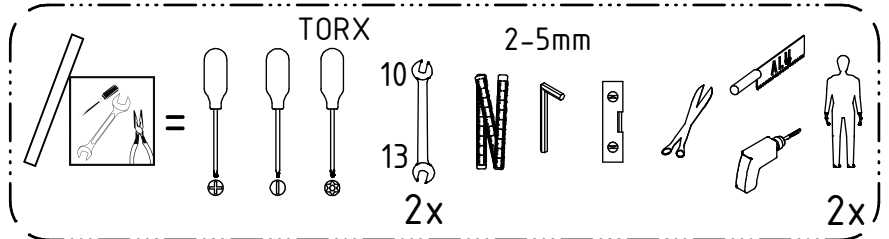
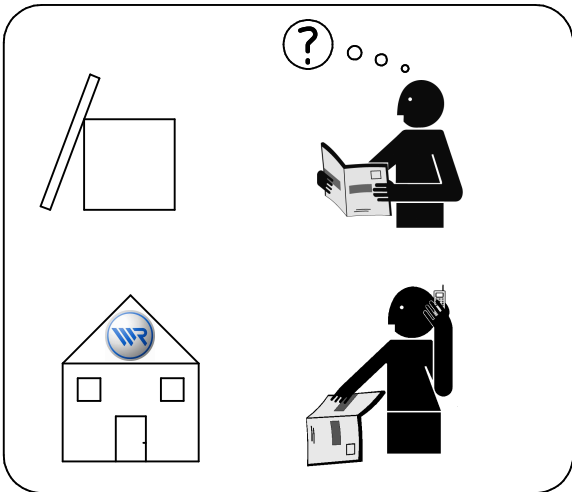


RADEMACHER

ALU 100 mono



2x	2x	1x	2x	1x	1x
1x	1x	1x	2x	1x	2x
M8x45	M8	M6x30	M6		
2x	2x	2x		2x	2x
W254	T355	W258	B259	2,9x13	4,5x30
1x	1x	1x		8x	8x
				3,5x19	A5,3
			1x	2x	2x



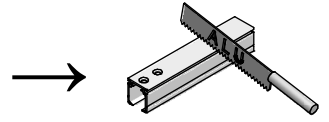
1.


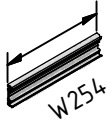
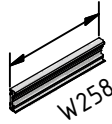
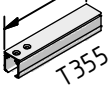
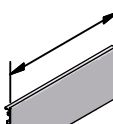
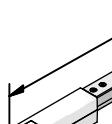
1x	1x	1x	2x
		M6x30	M6
		2x	2x


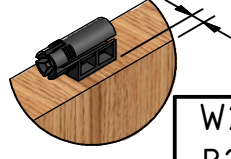
1.1

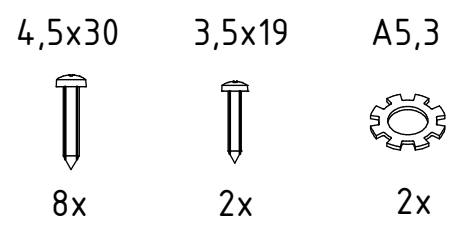
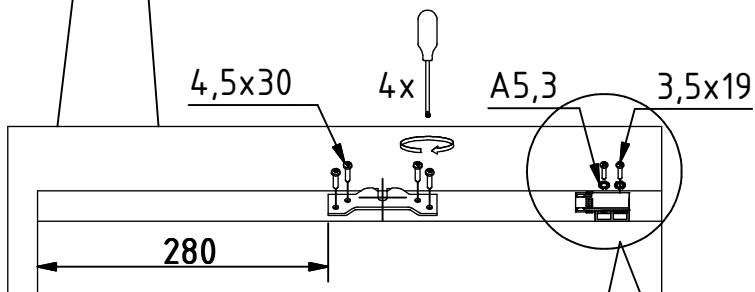
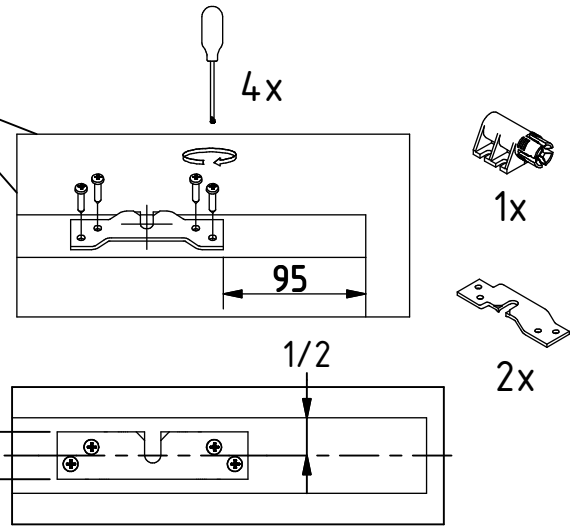
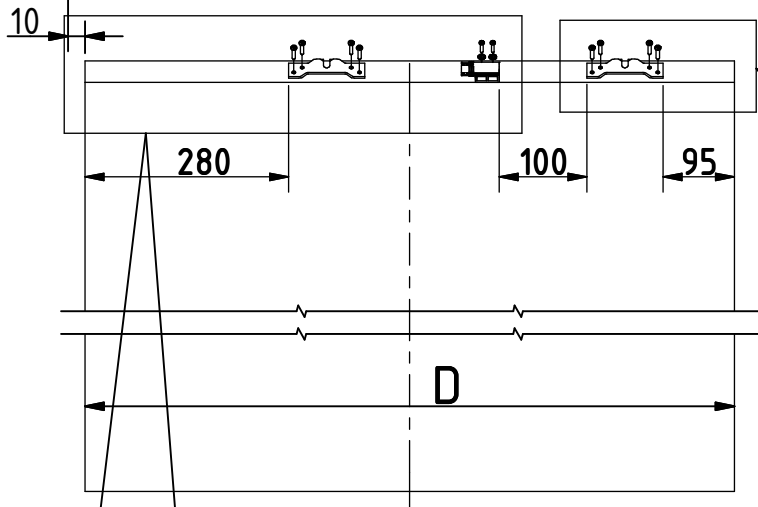
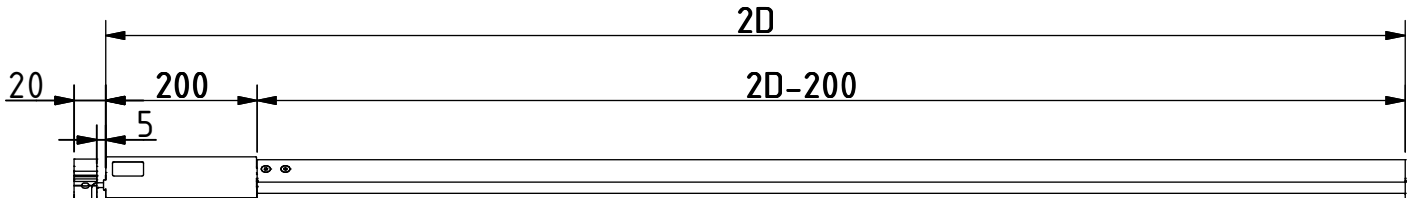
ALU 100 mono

T355
W254
W258
B259

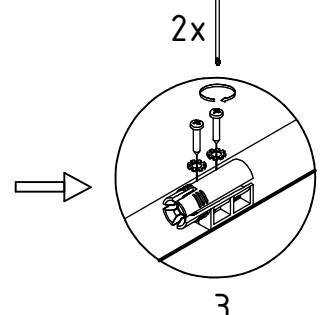
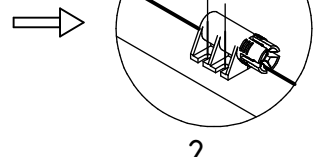
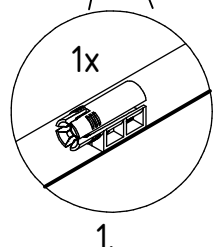


 max. 80kg	 W254  W258  T355	 B259	 B259
min. 800mm	1400mm	1620mm	1600mm
850mm	1500mm	1720mm	1700mm
860mm	1520mm	1740mm	1720mm
900mm	1600mm	1820mm	1800mm
950mm	1700mm	1920mm	1900mm
985mm	1770mm	1990mm	1970mm
1000mm	1800mm	2020mm	2000mm
1050mm	1900mm	2120mm	2100mm
max. 1100mm	2000mm	2220mm	2200mm

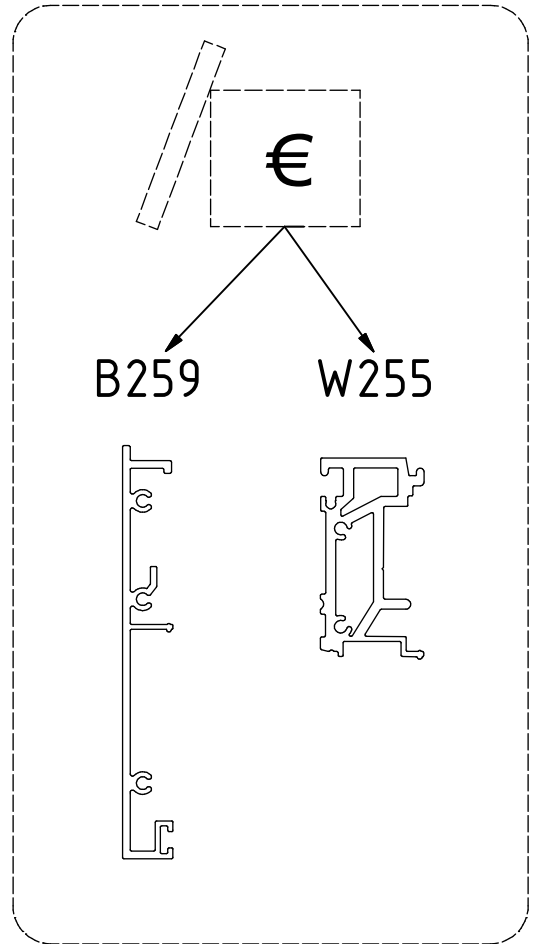
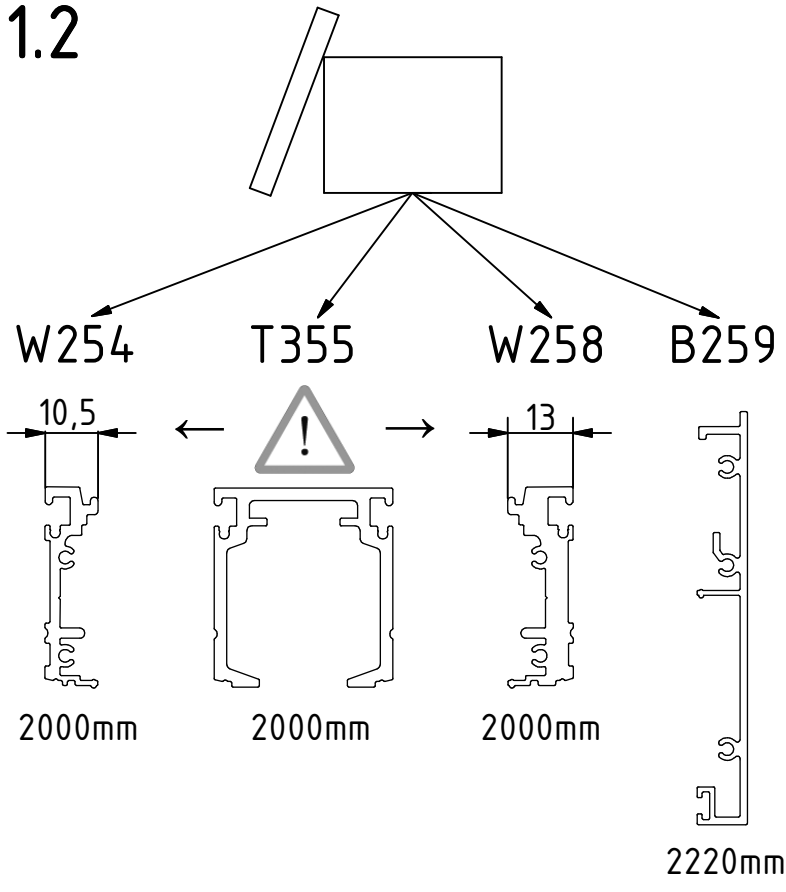
		W258 B259		W258 B259	
		6.a	6.b	6.a	6.b
30mm	-5mm	x	x	x	x
40mm	0mm	x	x	x	x
50mm	+5mm	-	-	x	x
60mm	+10mm	-	-	x	x



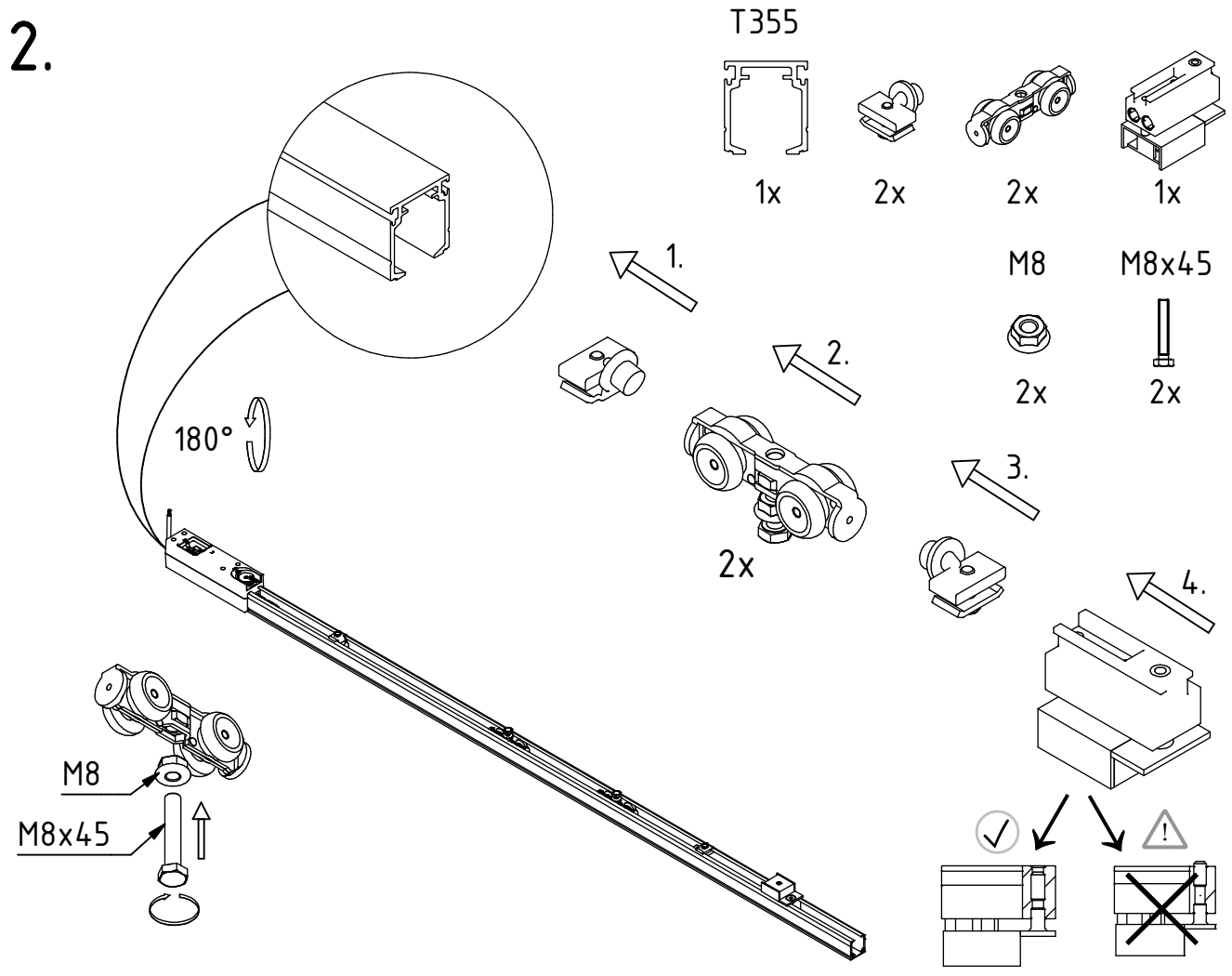
40mm →



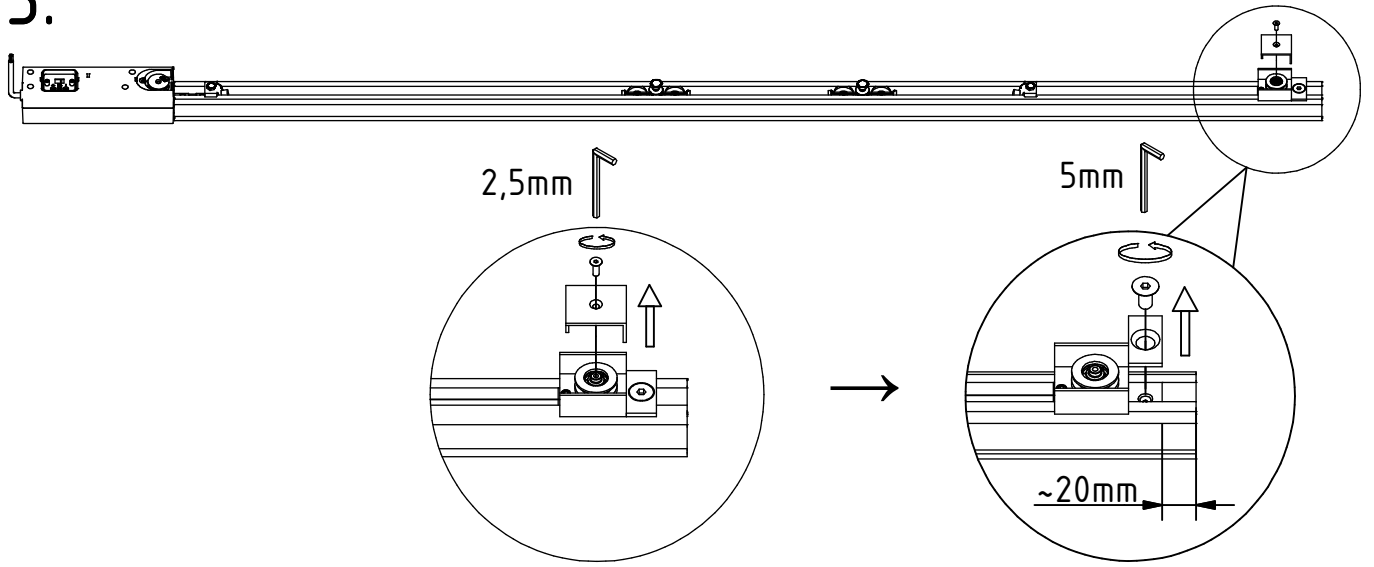
1.2



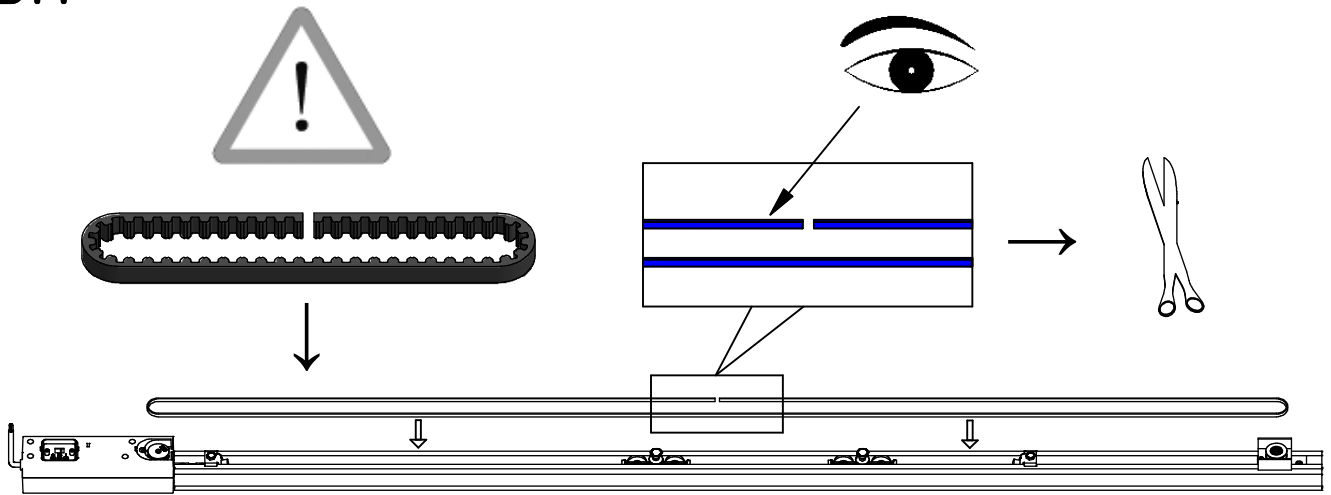
2.



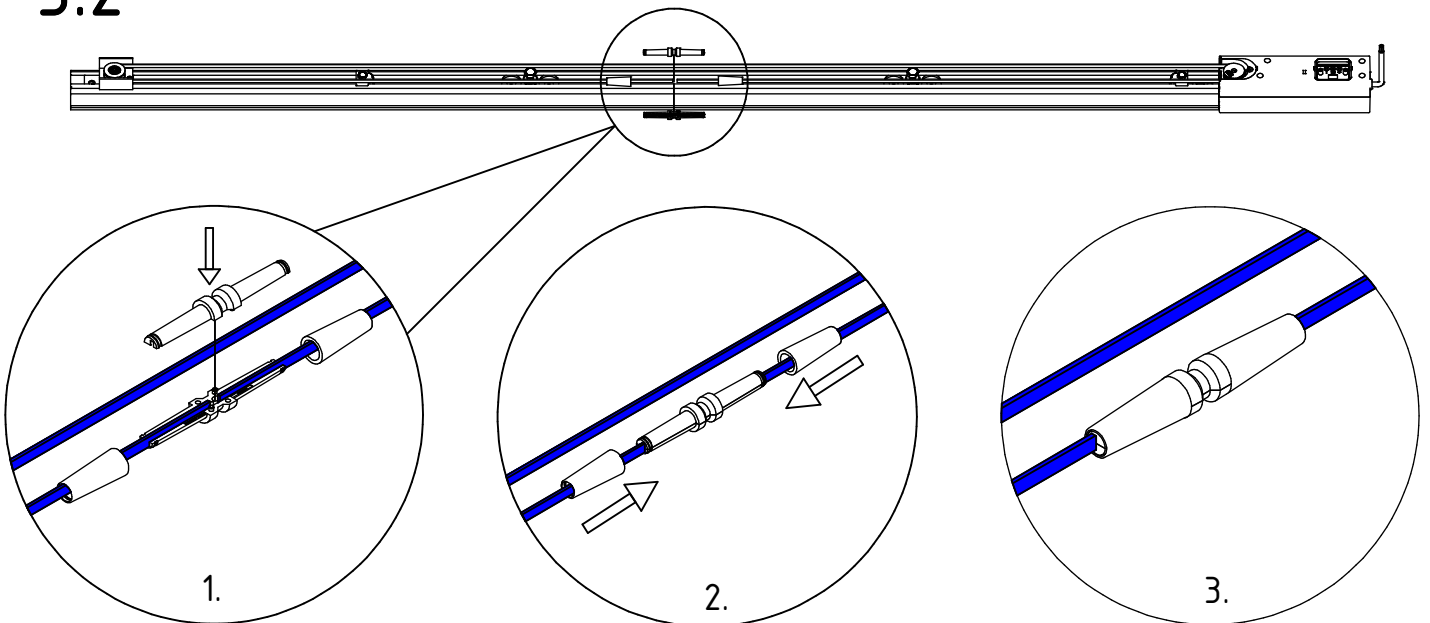
3.



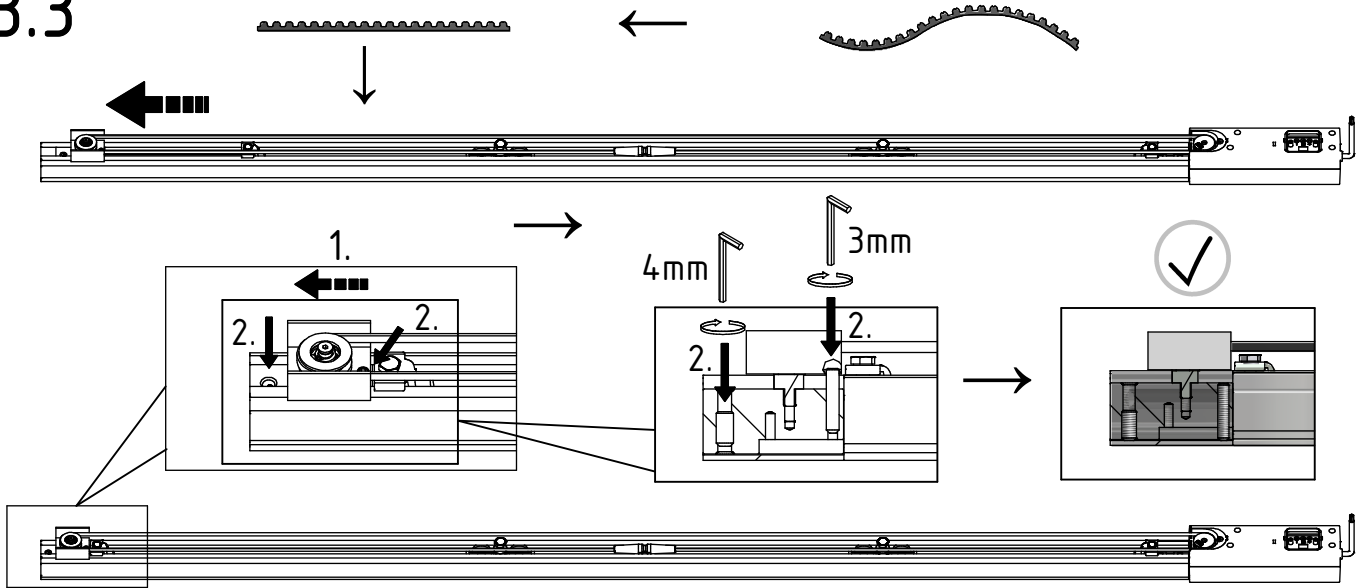
3.1



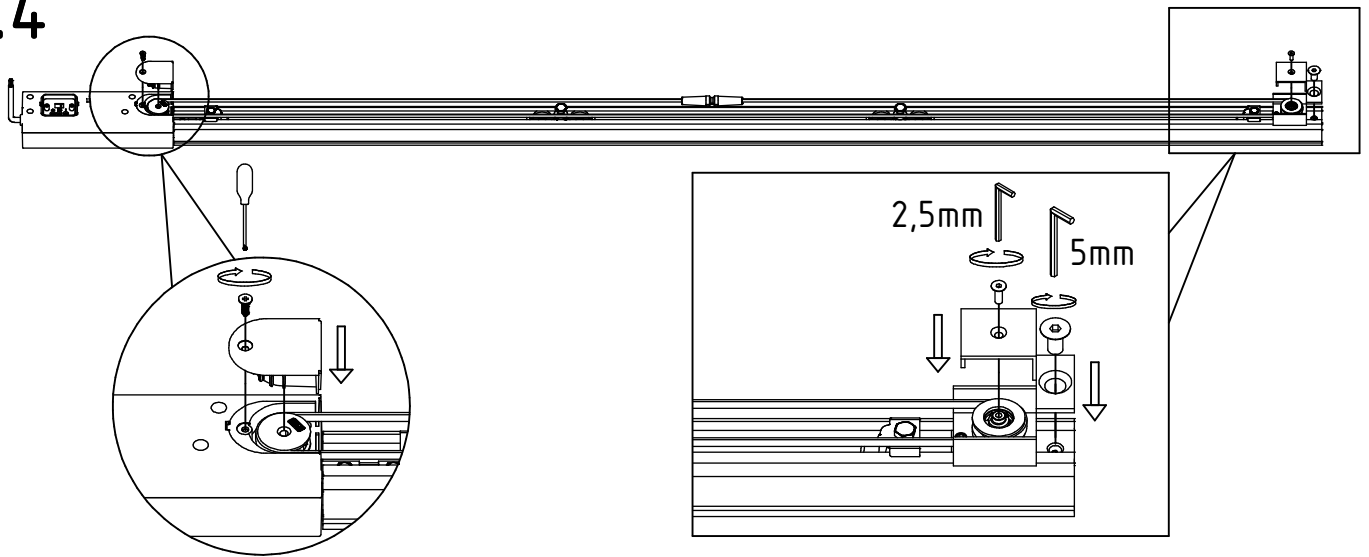
3.2



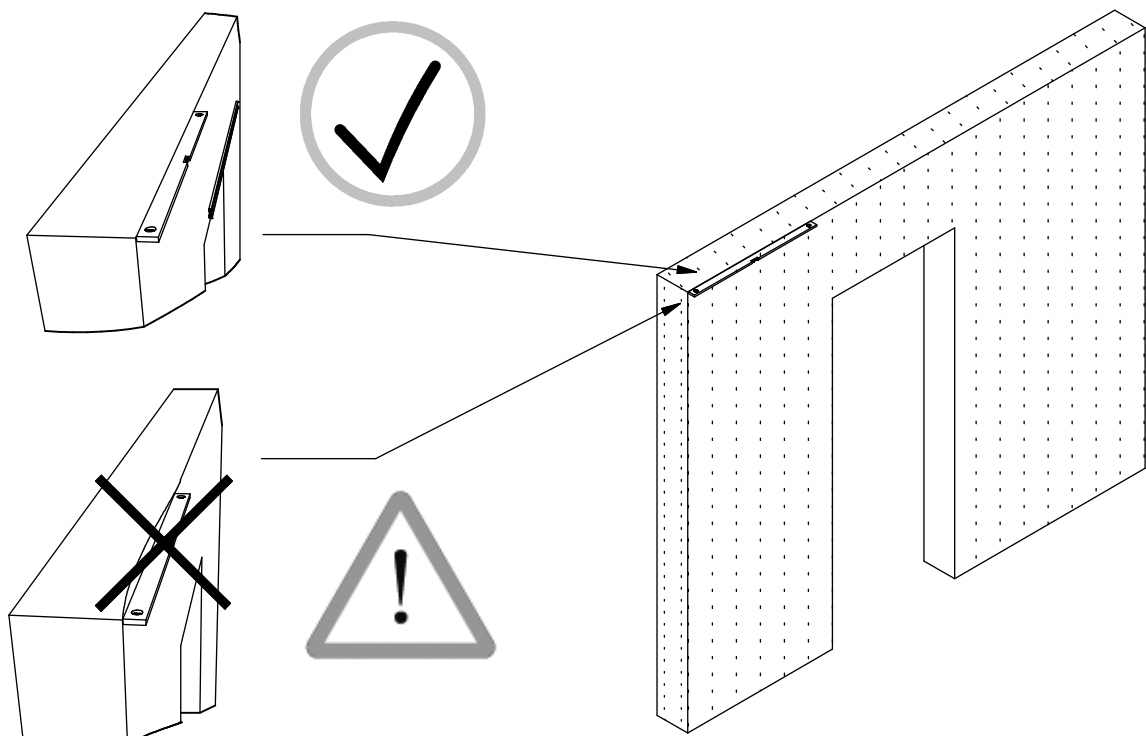
3.3



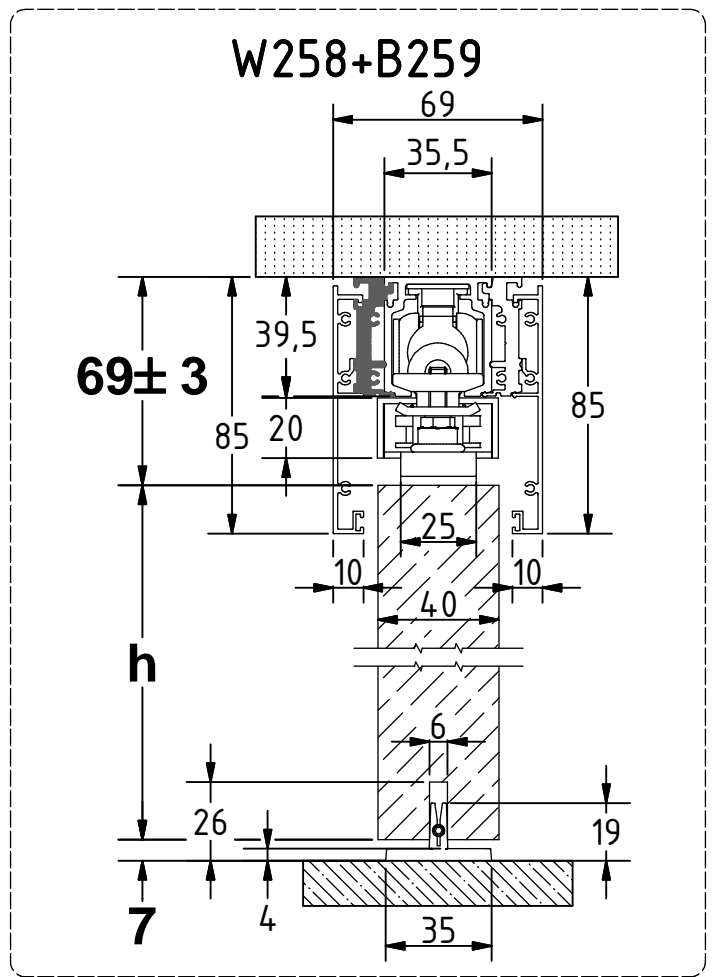
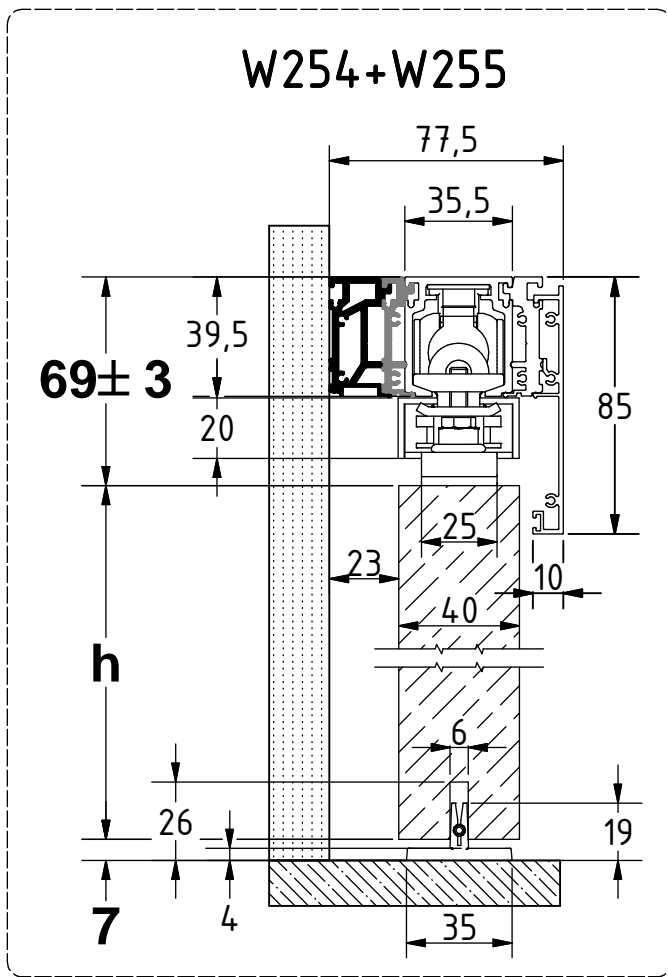
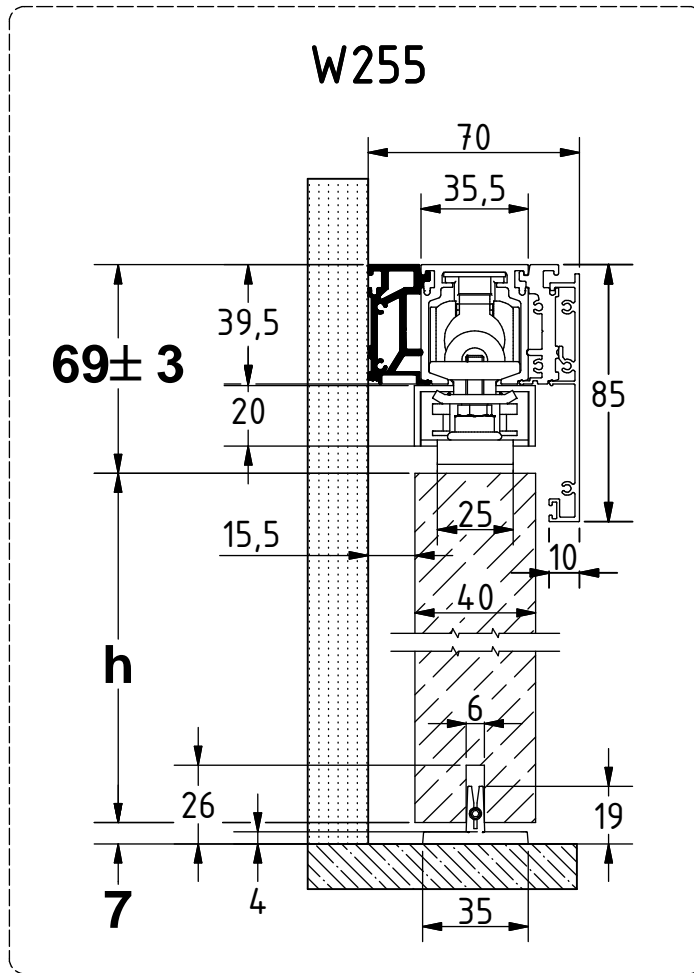
3.4



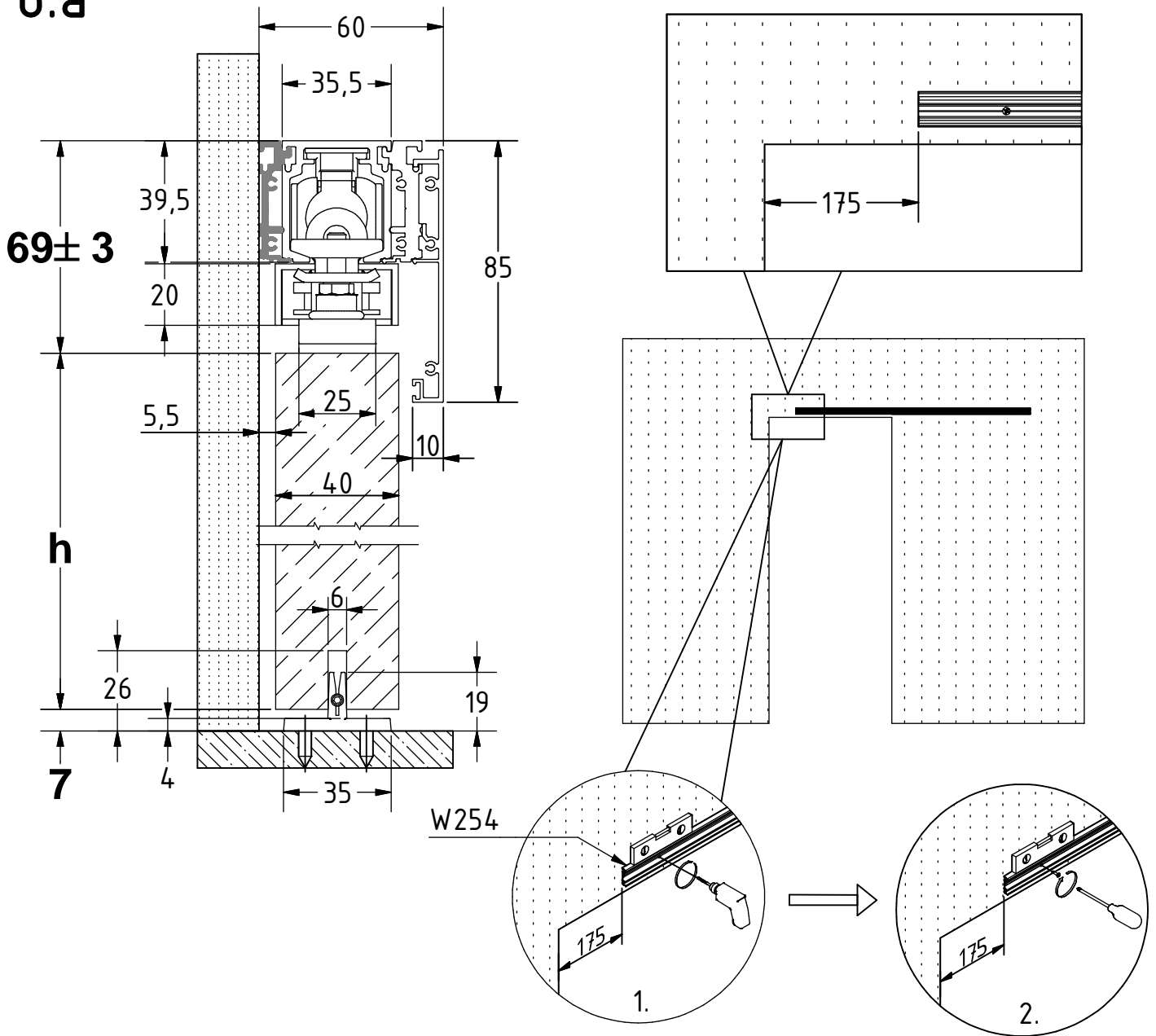
4.



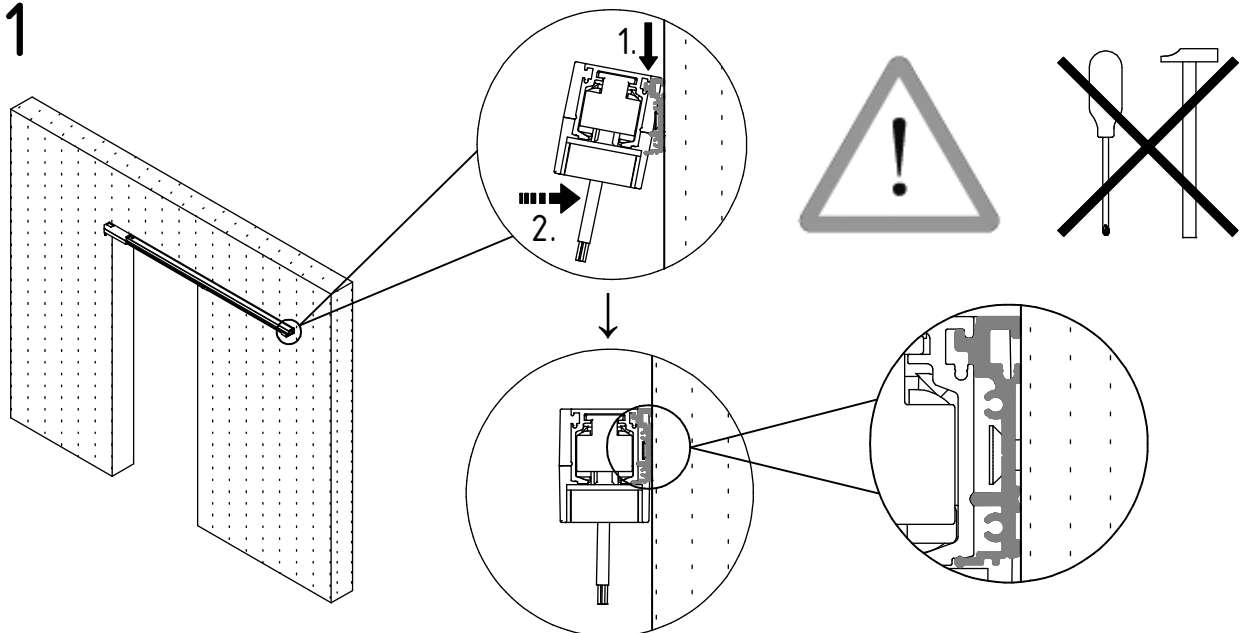
5.



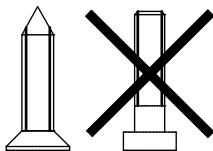
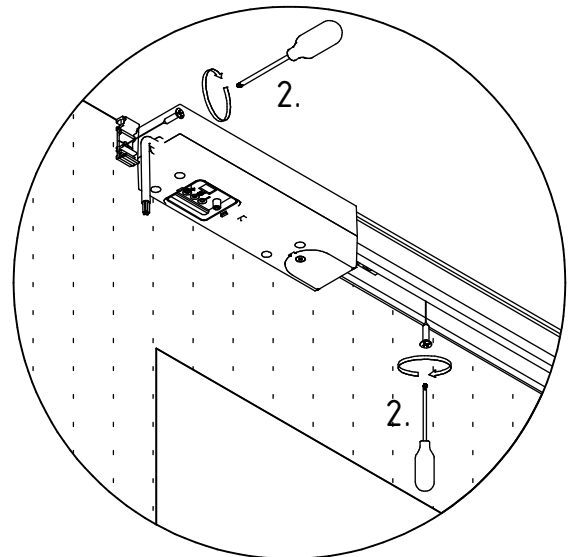
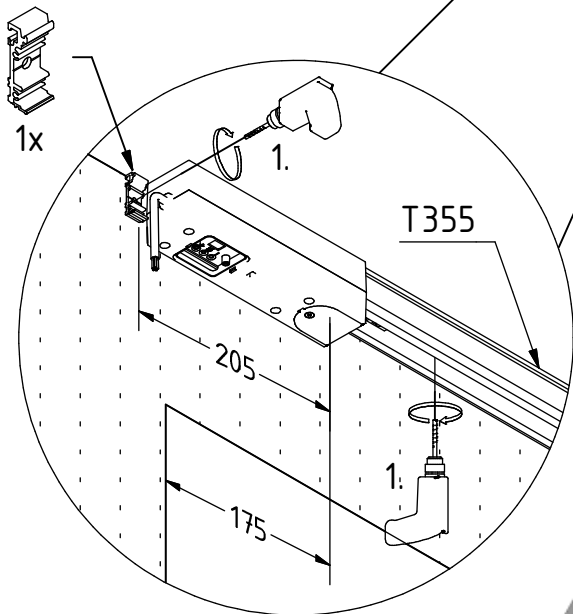
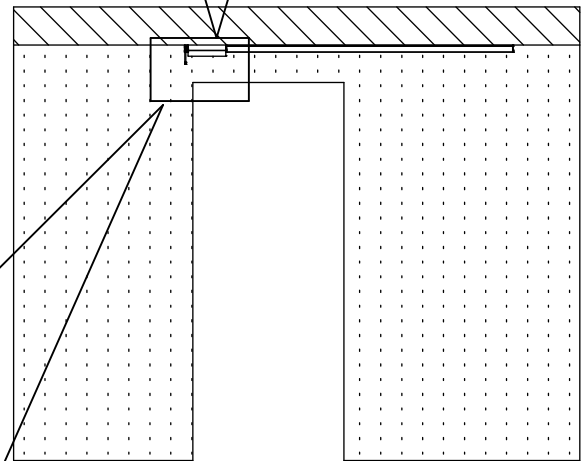
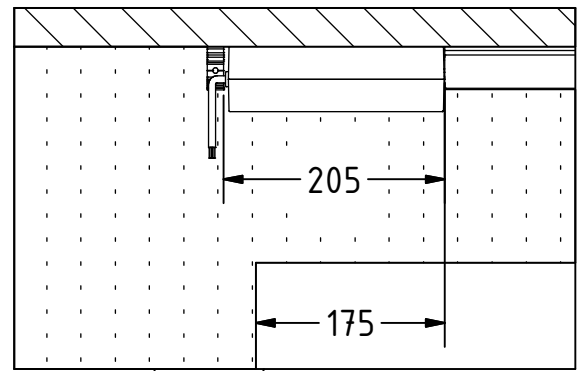
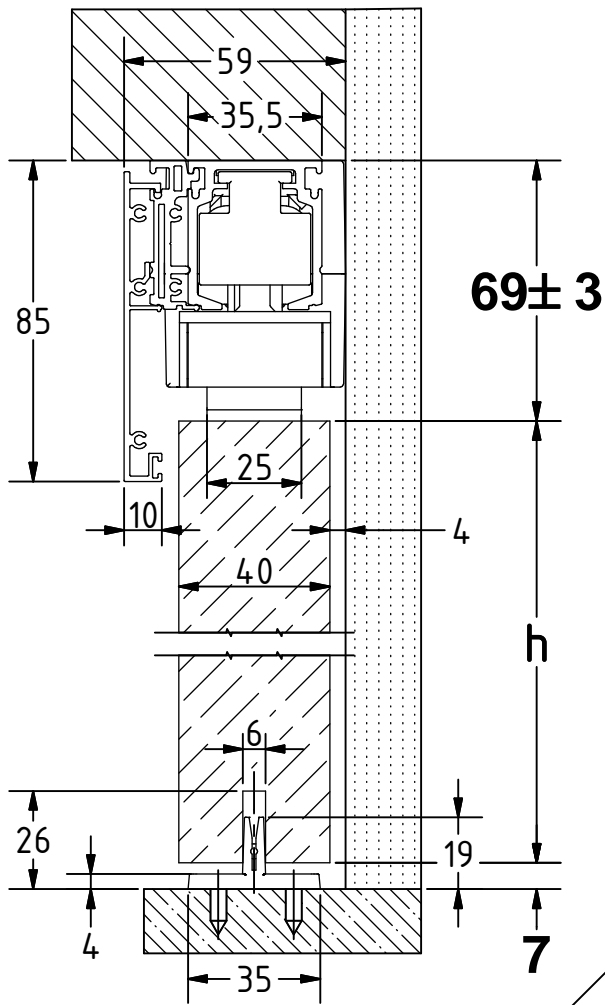
6.a



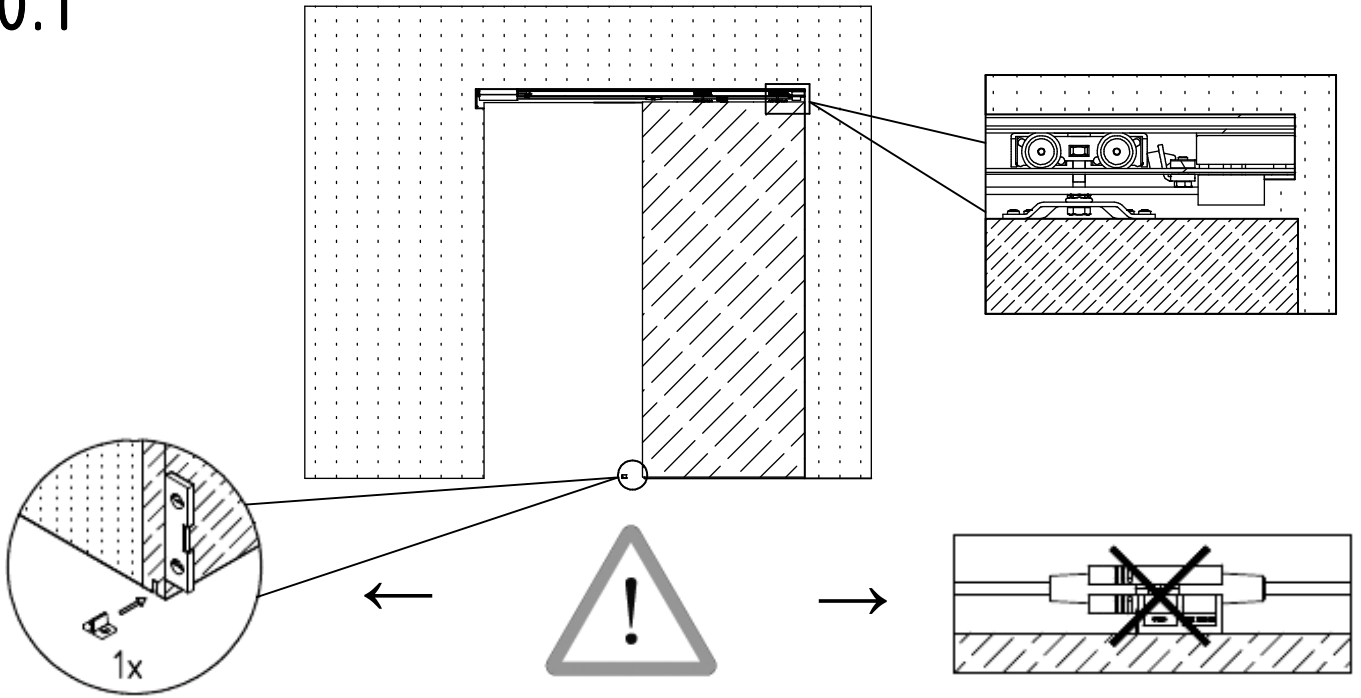
6.a1



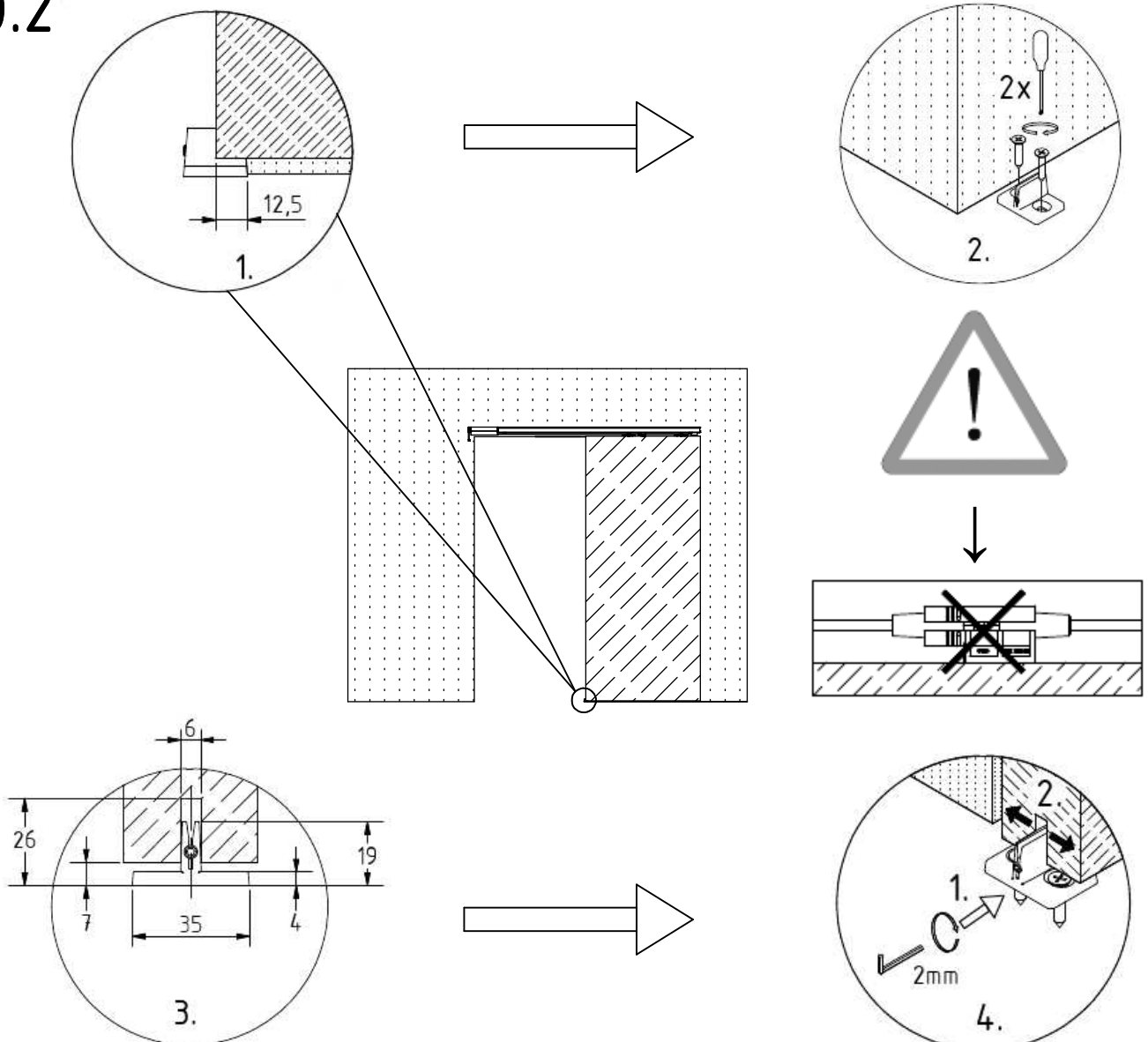
6.b



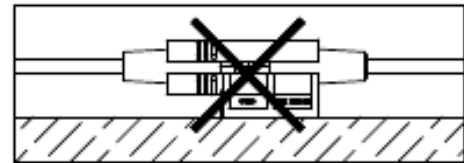
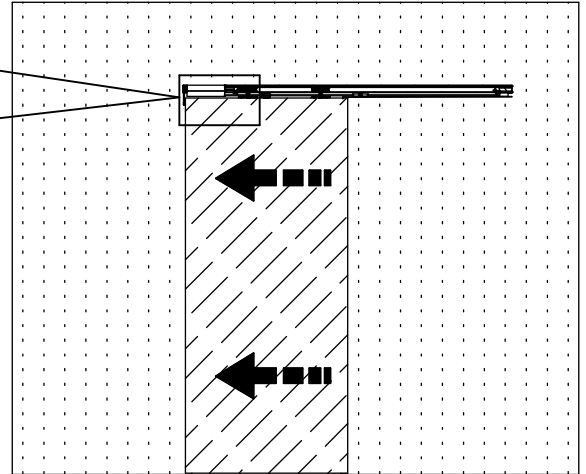
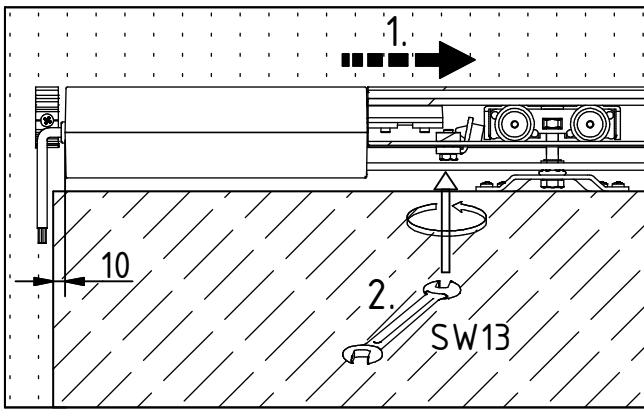
10.1



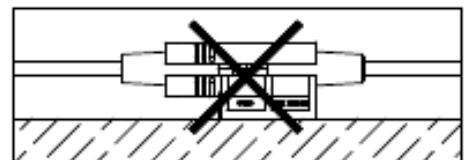
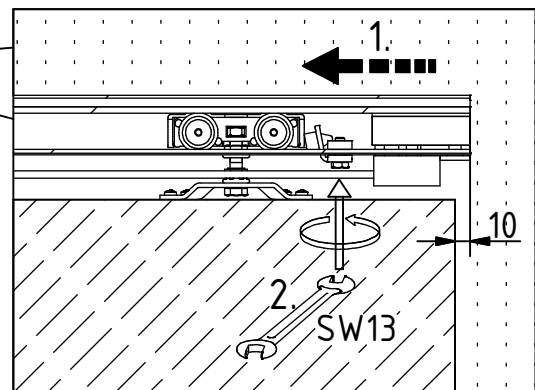
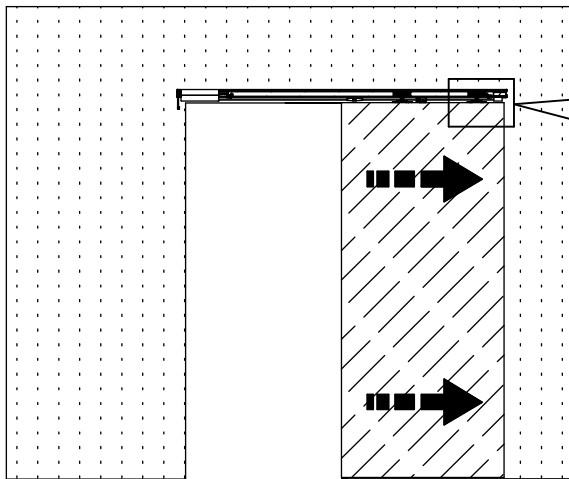
10.2



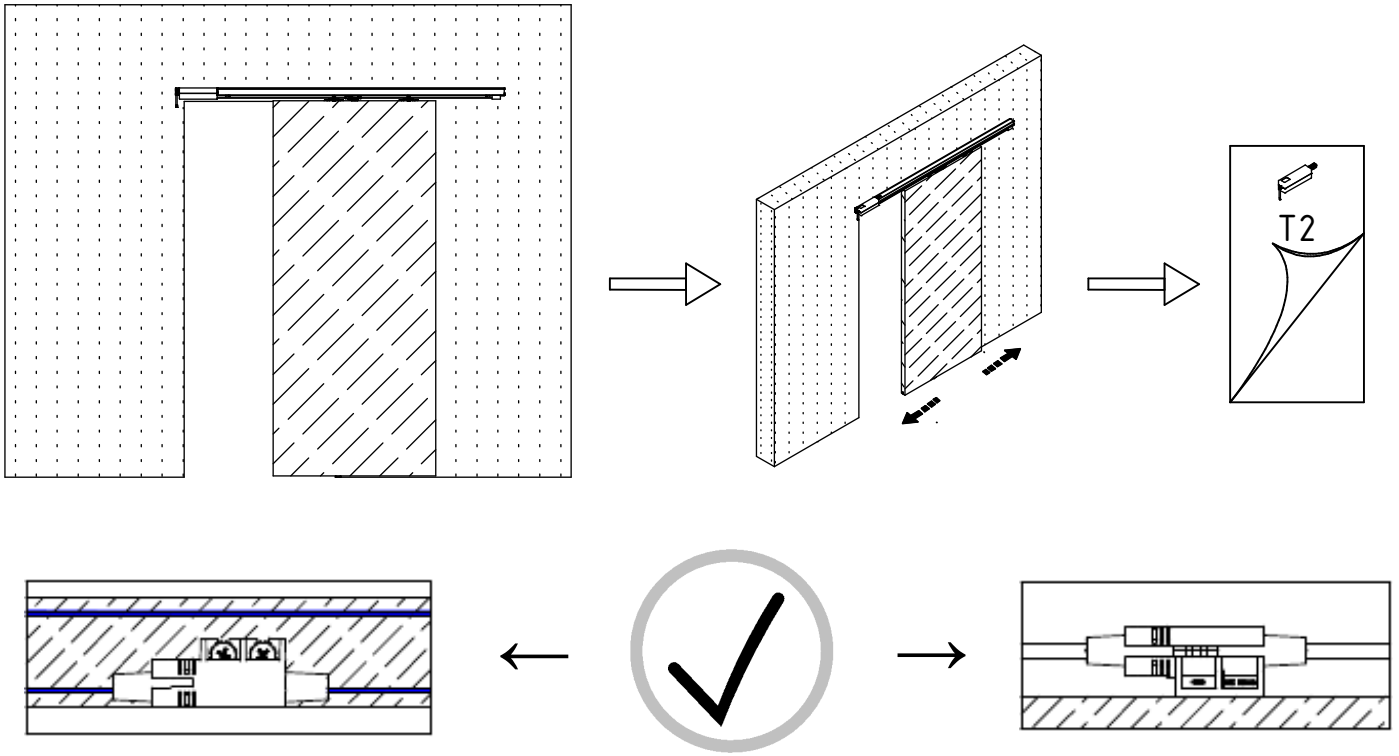
11.1



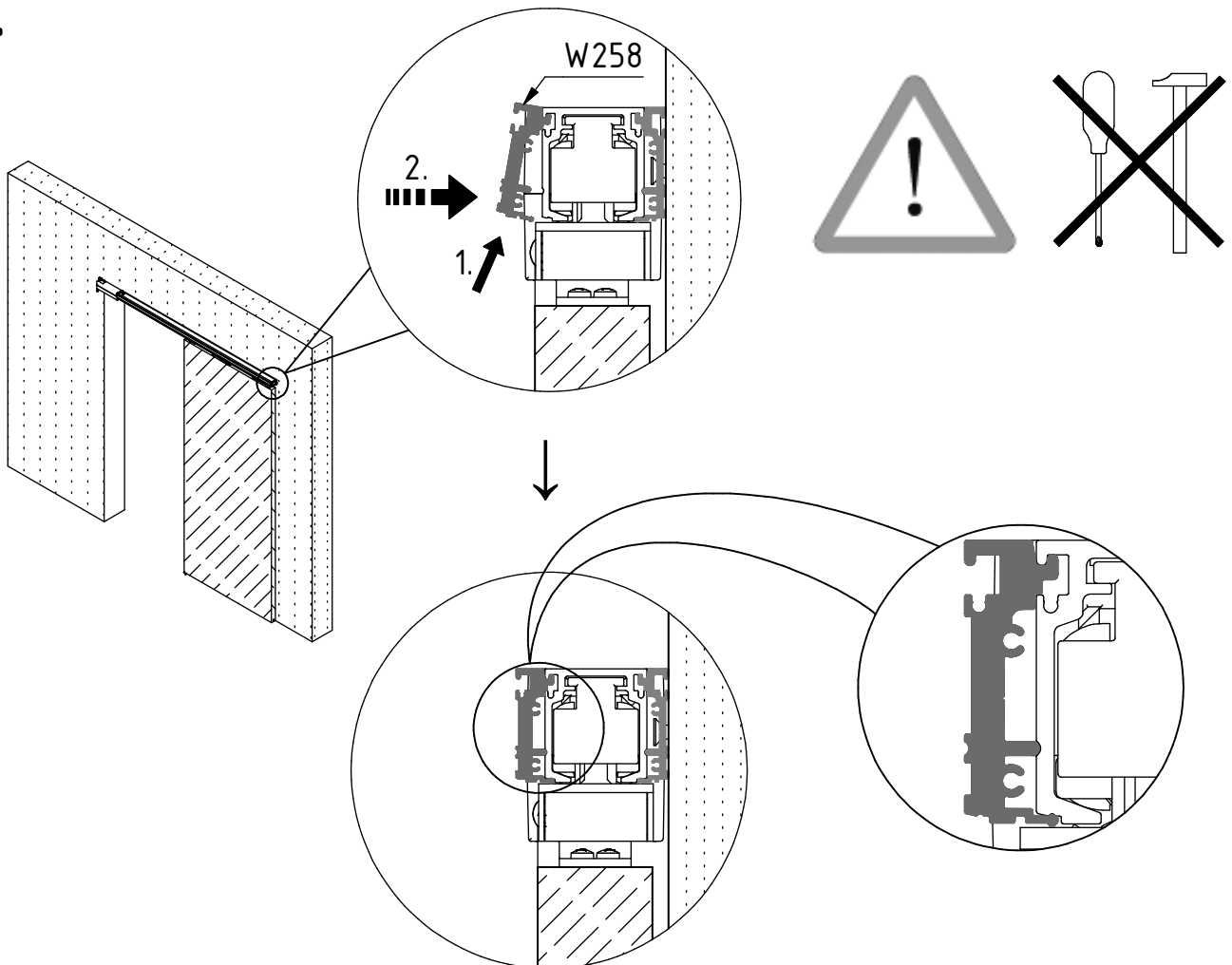
11.2



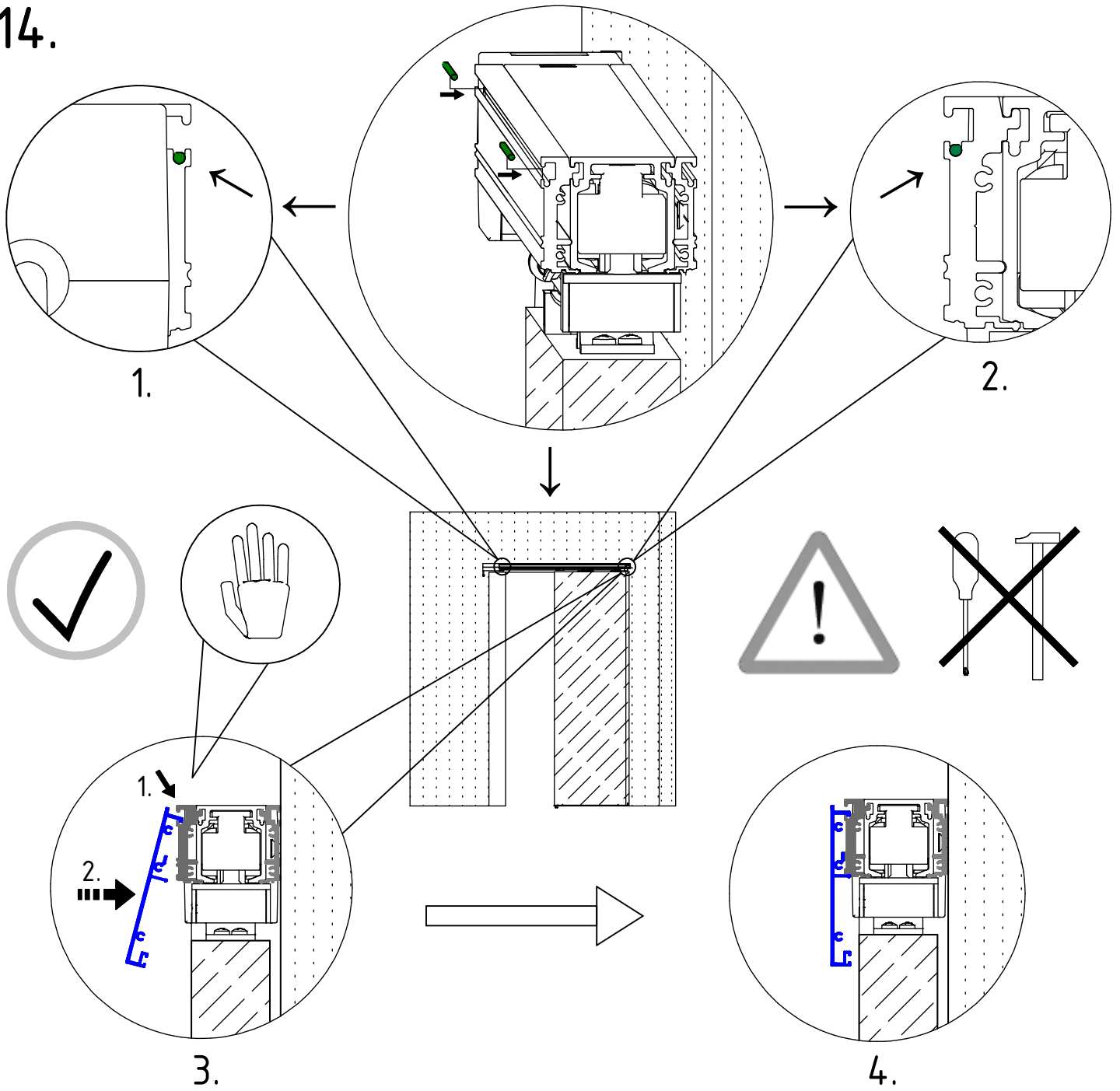
12.



13.



14.



15.

