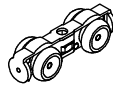
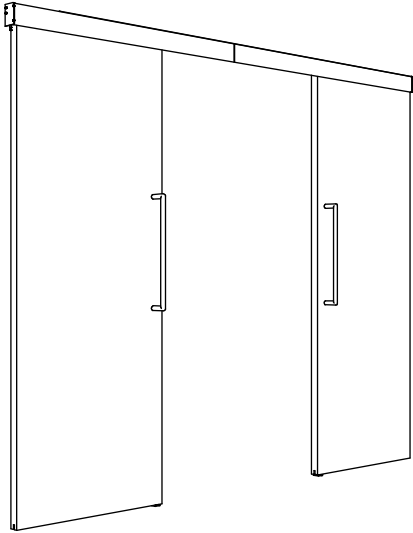


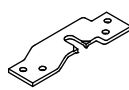


**RADEMACHER**

# ALU 100 synchron



4x



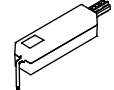
4x



1x



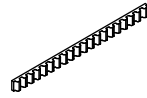
2x



1x

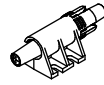


1x



1x

M8x45



2x

M8



2x

M6x30



4x



1x

M6



2x



4x

W254



4x

T355



2x

W258



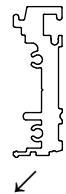
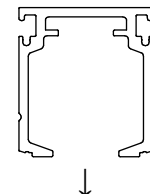
2x

M6



2x

4,5x30



2,9x13



8x

3,5x19



4x



16x

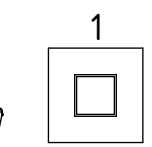
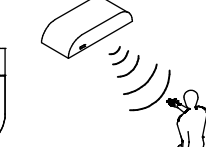
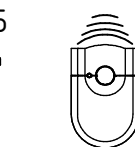
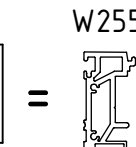
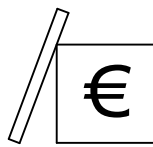
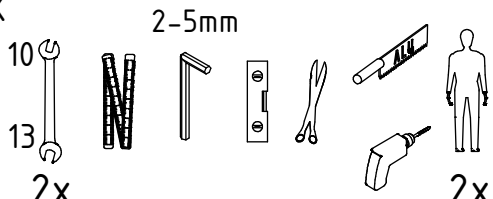
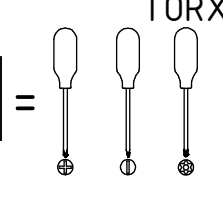
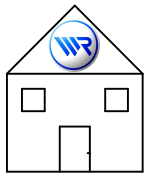
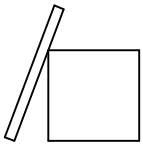
A5,3



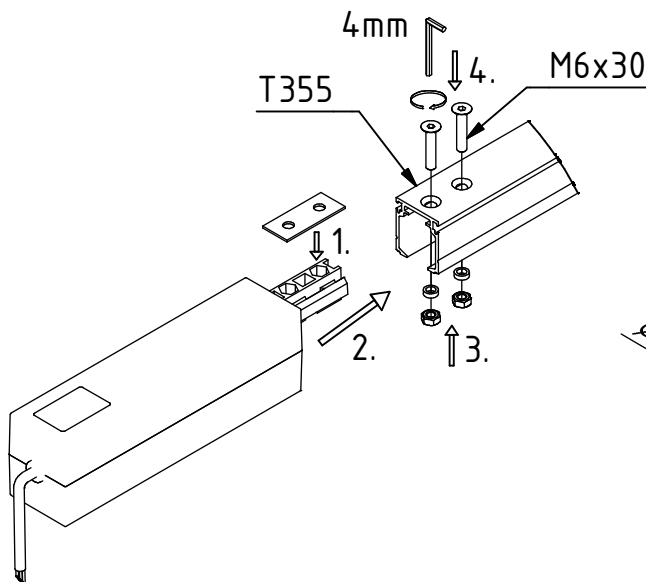
4x

1x2000mm  
+  
1x2200mm

2x  
↓  
2210mm



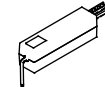
1.



T355



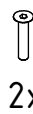
1x



1x



M6x30

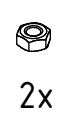


2x

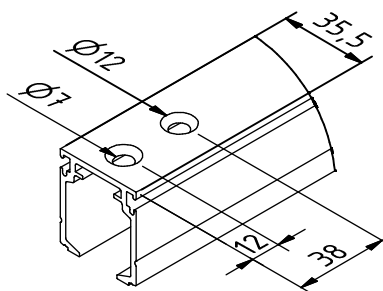


2x

M6

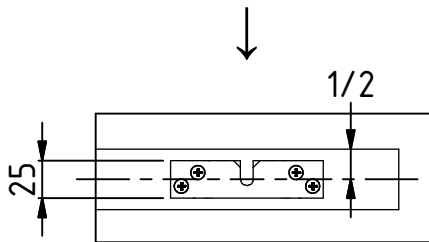
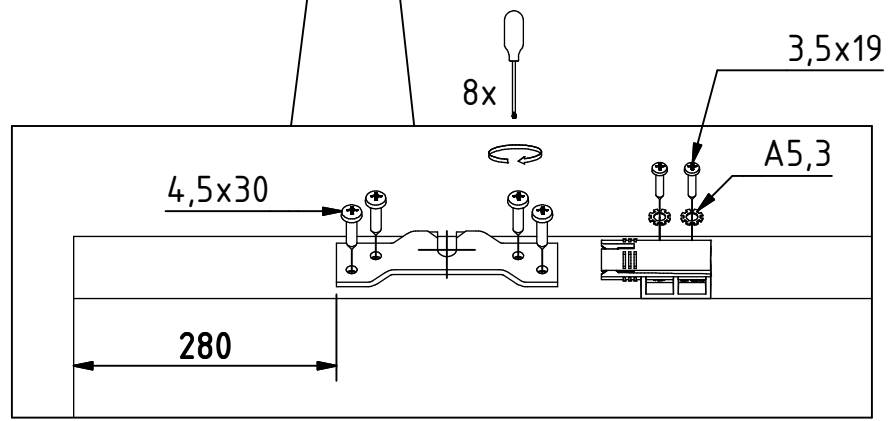
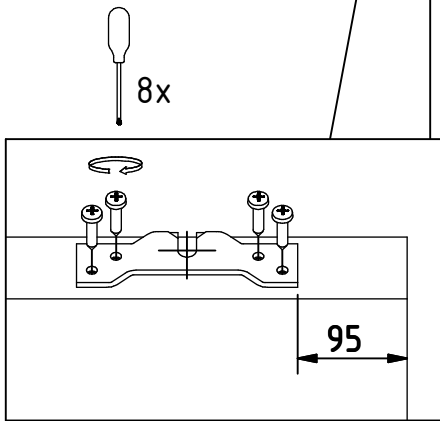
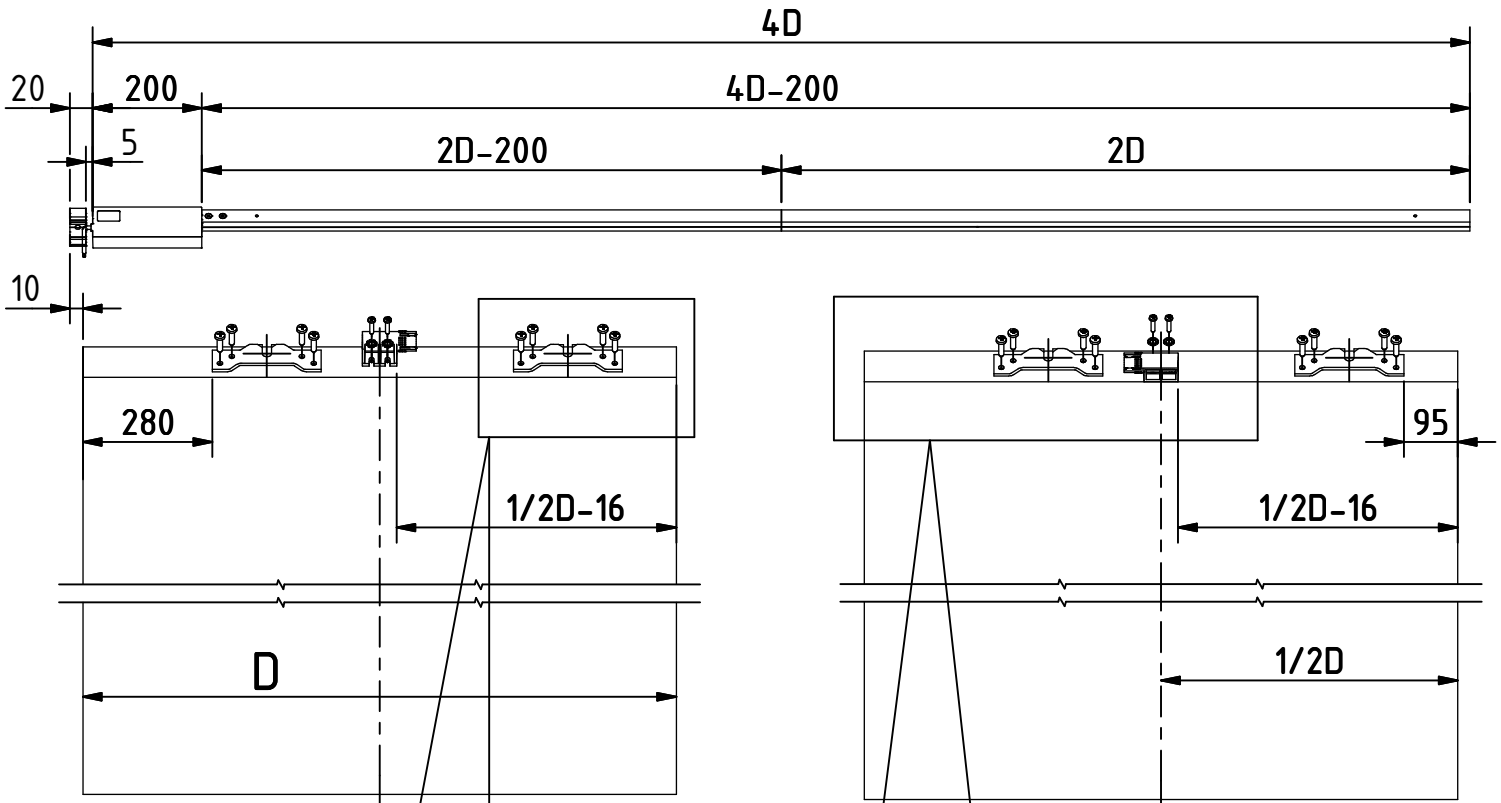







2x



# 1.1

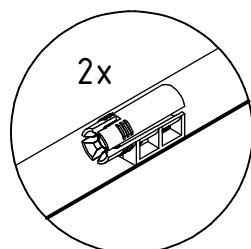
# ALU 100 synchron



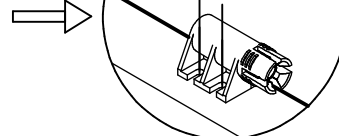
-   
 2x
-   
 4x
-   
 4,5x30  
 16x
-   
 A5,3  
 4x
-   
 3,5x19  
 4x



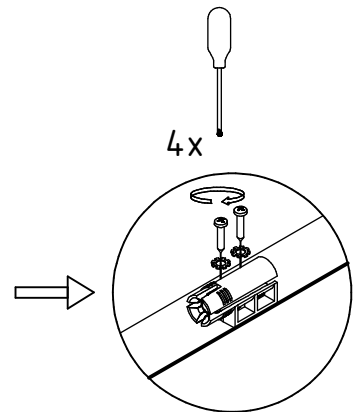
40mm →



1.



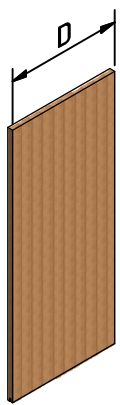
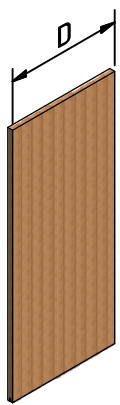
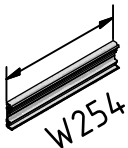
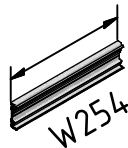
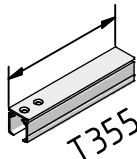
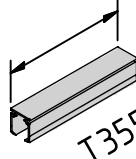
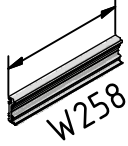
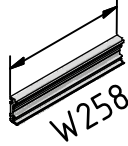

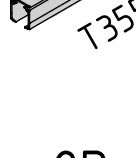
2.

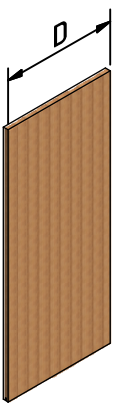
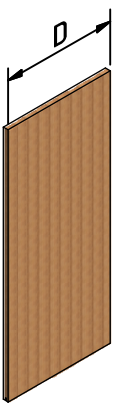
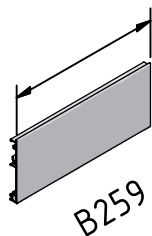
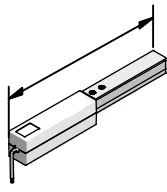
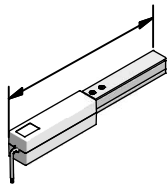


3.

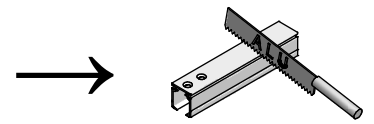
# 1.2


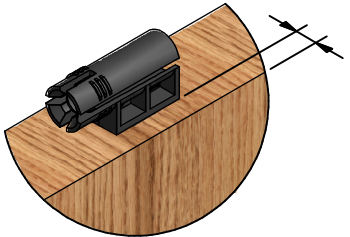
# ALU 100 synchron

 2x max. 40kg	 4D-200	1.  W254	2.  W254	1. (T1)  T355	2. (T2)  T355
		W258 	W258 	2D-200 	2D 
min. 800mm	3000mm	2000mm	1000mm	1400mm	1600mm
850mm	3200mm	2000mm	1200mm	1500mm	1700mm
860mm	3240mm	2000mm	1240mm	1520mm	1720mm
900mm	3400mm	2000mm	1400mm	1600mm	1800mm
950mm	3600mm	2000mm	1600mm	1700mm	1900mm
985mm	3740mm	2000mm	1740mm	1770mm	1970mm
1000mm	3800mm	2000mm	1800mm	1800mm	2000mm
1050mm	4000mm	2000mm	2000mm	1900mm	2100mm
max. 1100mm	4200mm	2000mm	2200mm	2000mm	2200mm

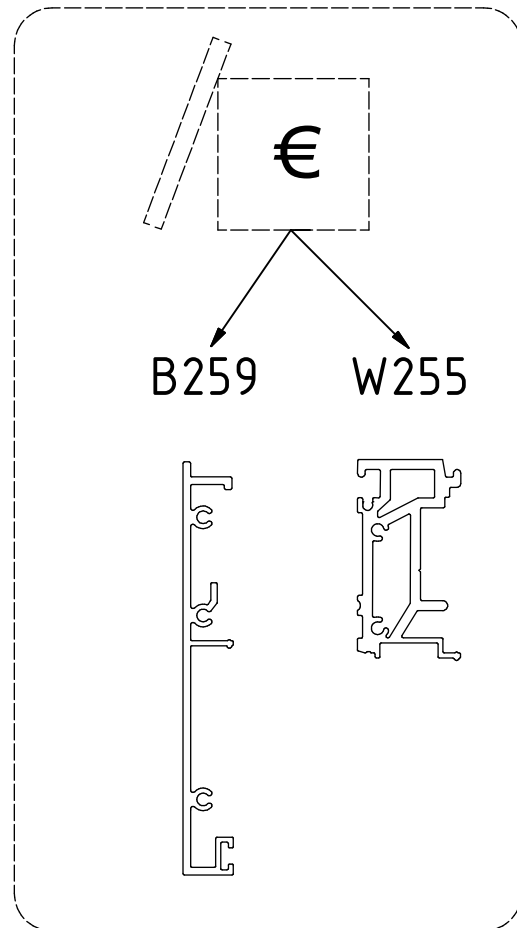
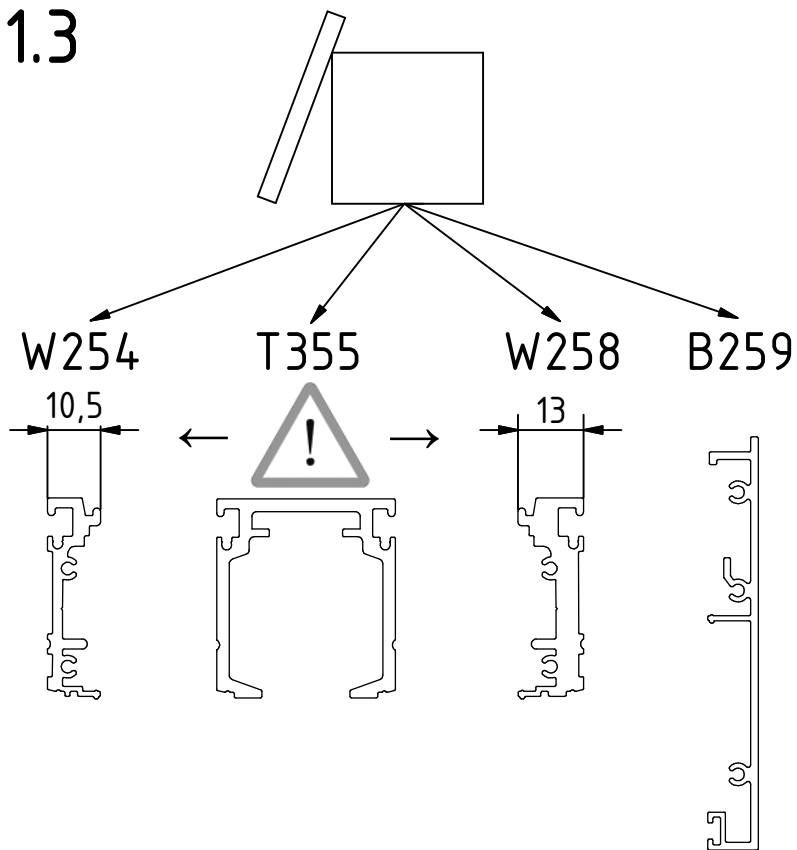
 2x max. 40kg	 4D+20	 B259	T1 
		2x	2D 
min. 800mm	3220mm	1610mm	1600mm
850mm	3420mm	1710mm	1700mm
860mm	3460mm	1730mm	1720mm
900mm	3620mm	1810mm	1800mm
950mm	3820mm	1910mm	1900mm
985mm	3960mm	1980mm	1970mm
1000mm	4020mm	2010mm	2000mm
1050mm	4220mm	2110mm	2100mm
max. 1100mm	4420mm	2210mm	2200mm

T355  
W254  
W258  
B259

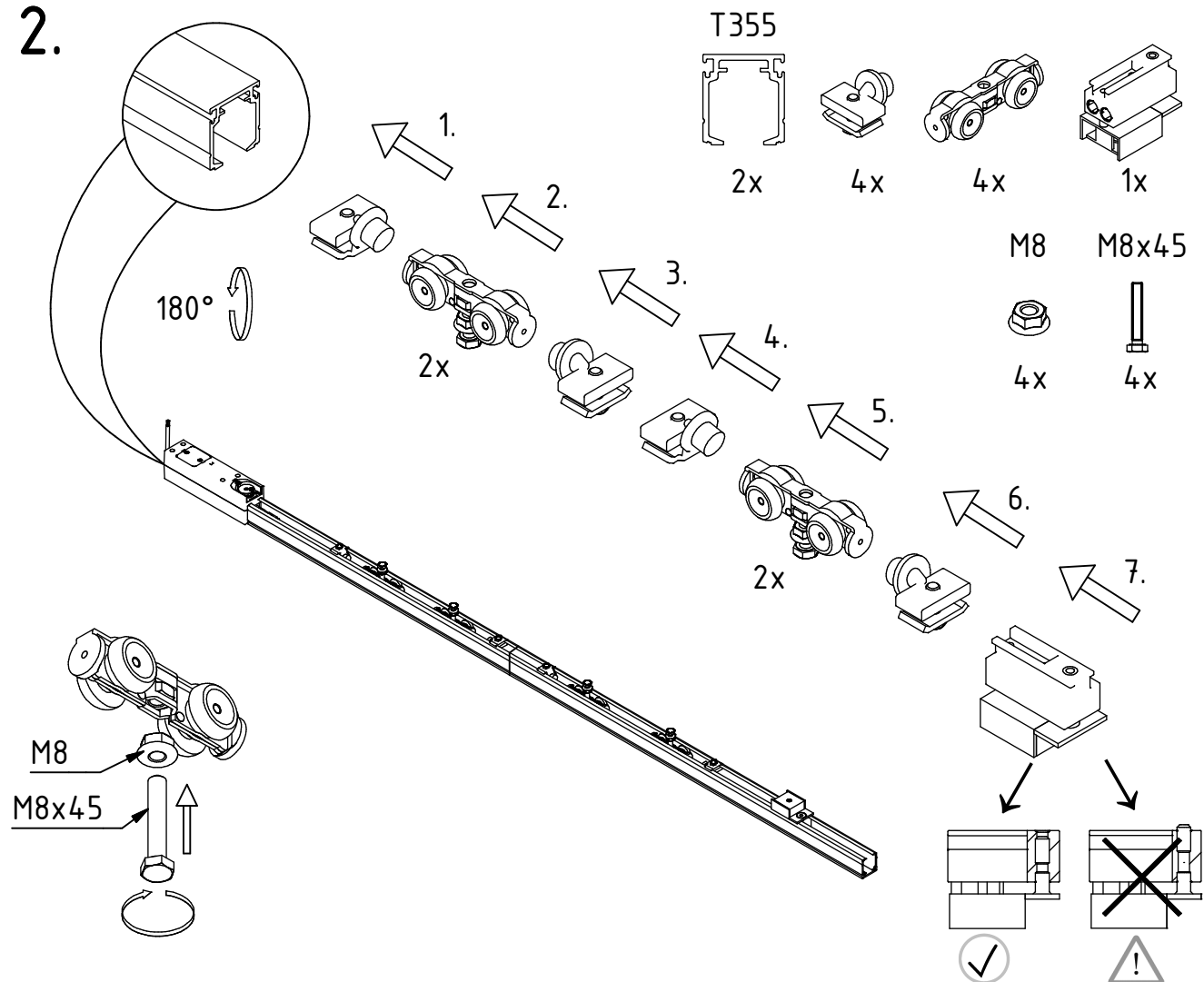


		<table border="1"> <tr> <th colspan="2">W258</th> <th colspan="2"><del>W258</del></th> </tr> <tr> <th colspan="2">B259</th> <th colspan="2"><del>B259</del></th> </tr> <tr> <th>4.a</th> <th>4.b</th> <th>4.a</th> <th>4.b</th> </tr> </table>				W258		<del>W258</del>		B259		<del>B259</del>		4.a	4.b	4.a	4.b
		W258		<del>W258</del>													
B259		<del>B259</del>															
4.a	4.b	4.a	4.b														
30mm	-5mm	x	x	x	x												
40mm	0mm	x	x	x	x												
50mm	+5mm	-	-	x	x												
60mm	+10mm	-	-	x	x												

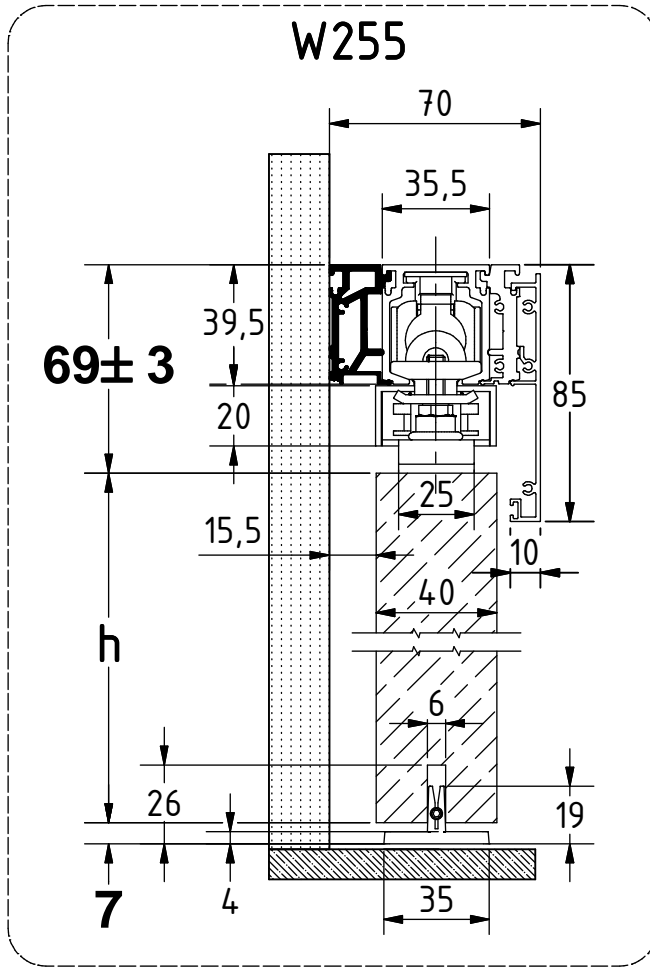
# 1.3



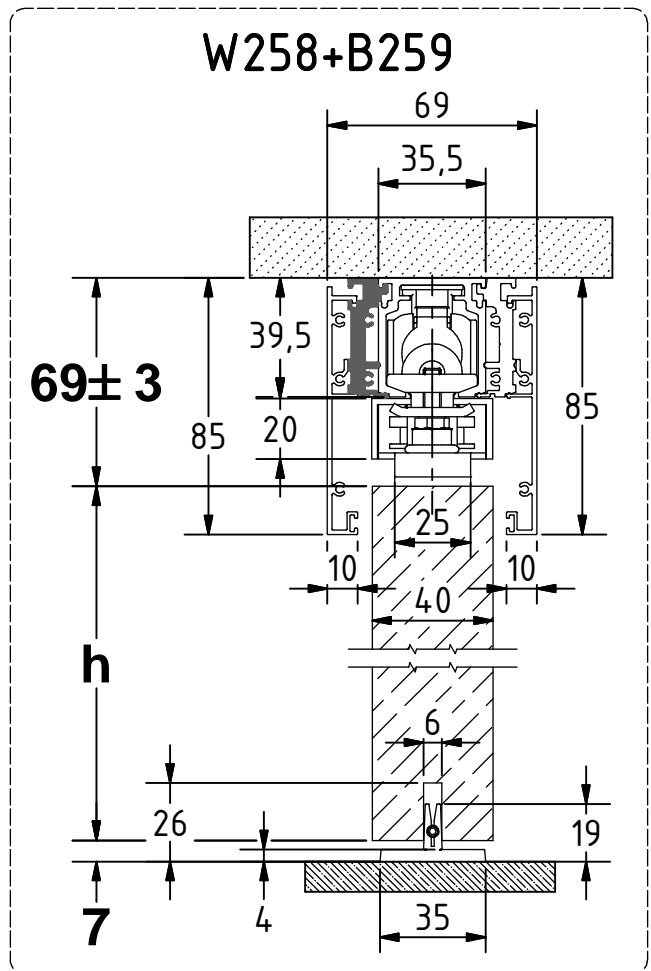
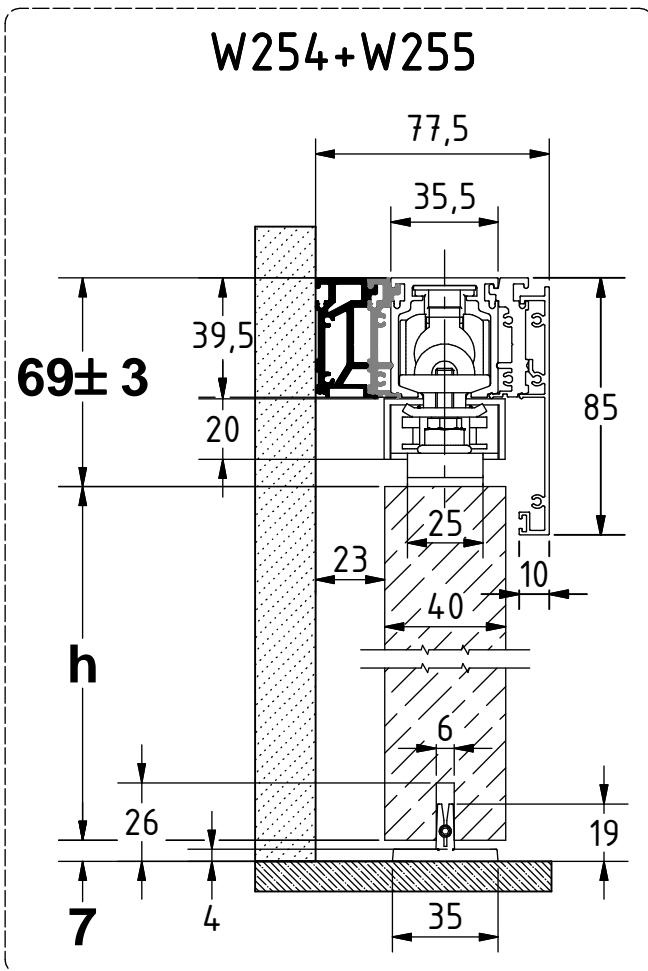
# 2.



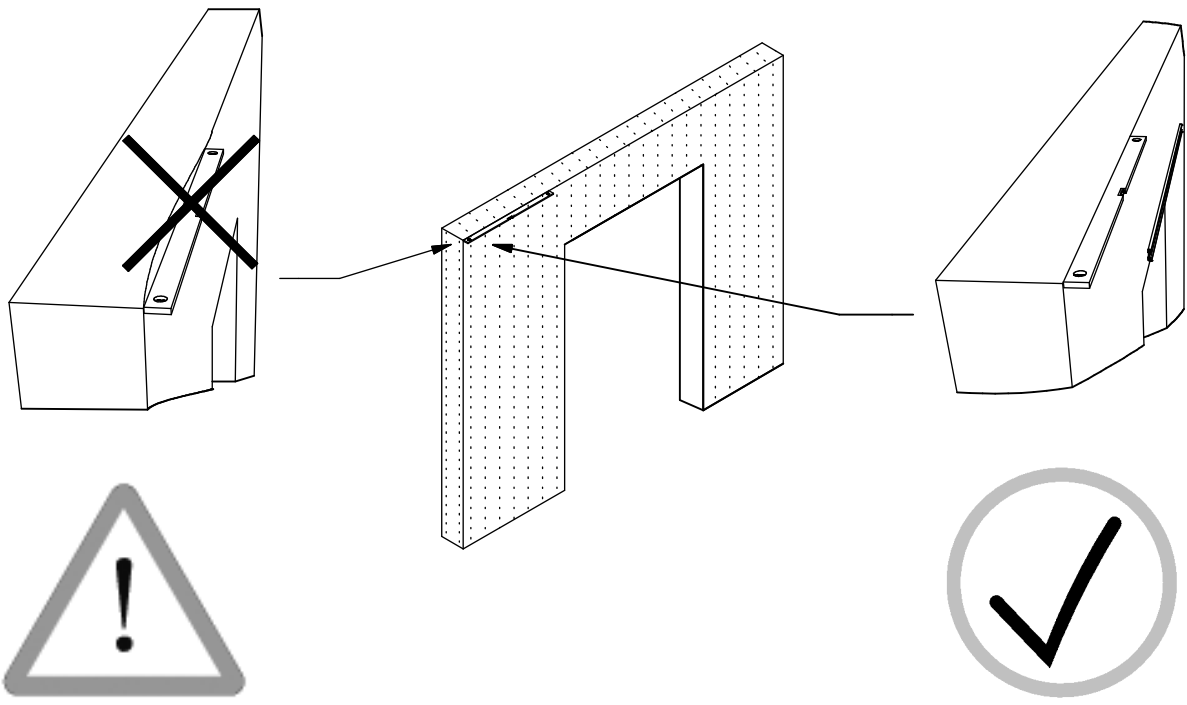
3.



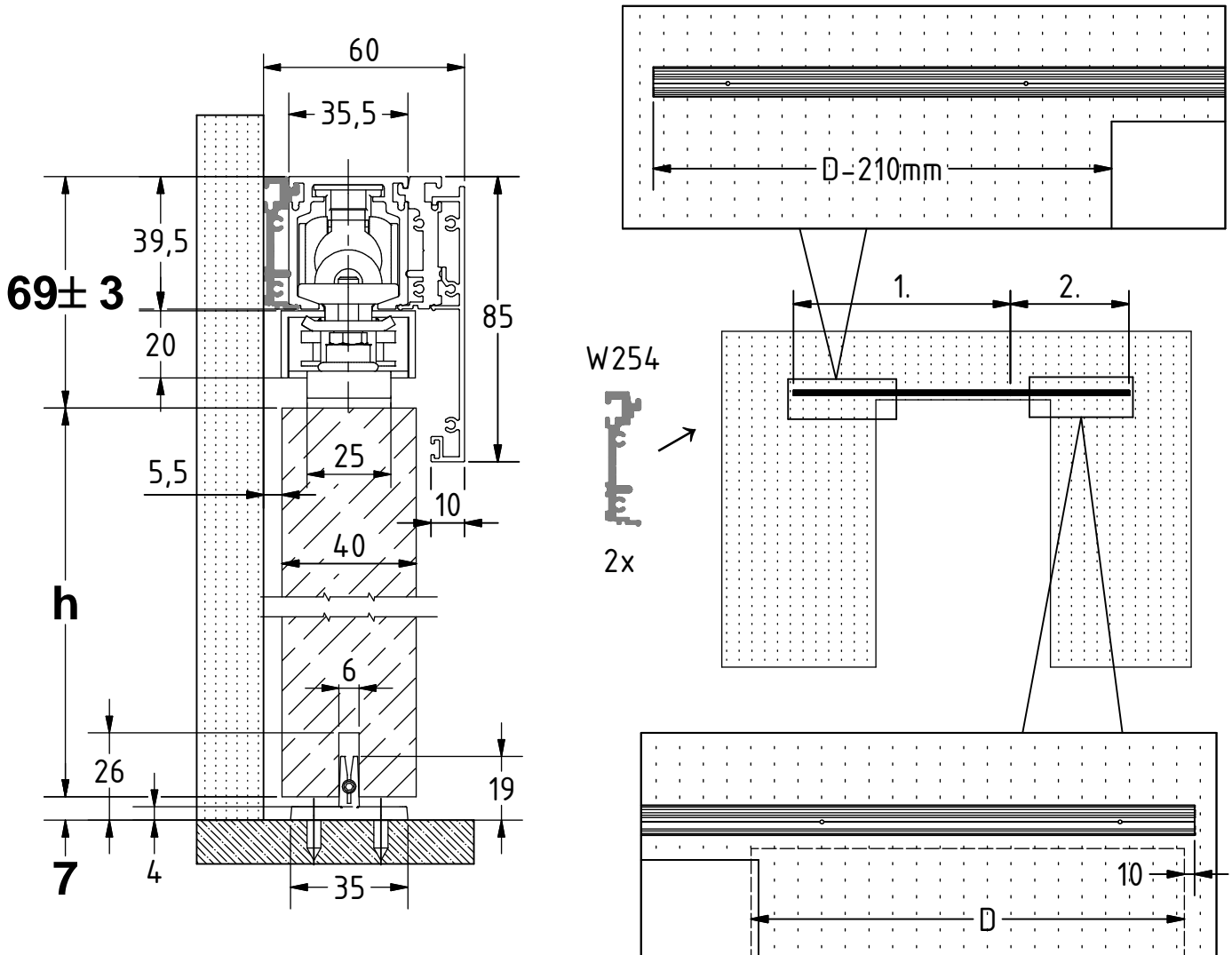
= €



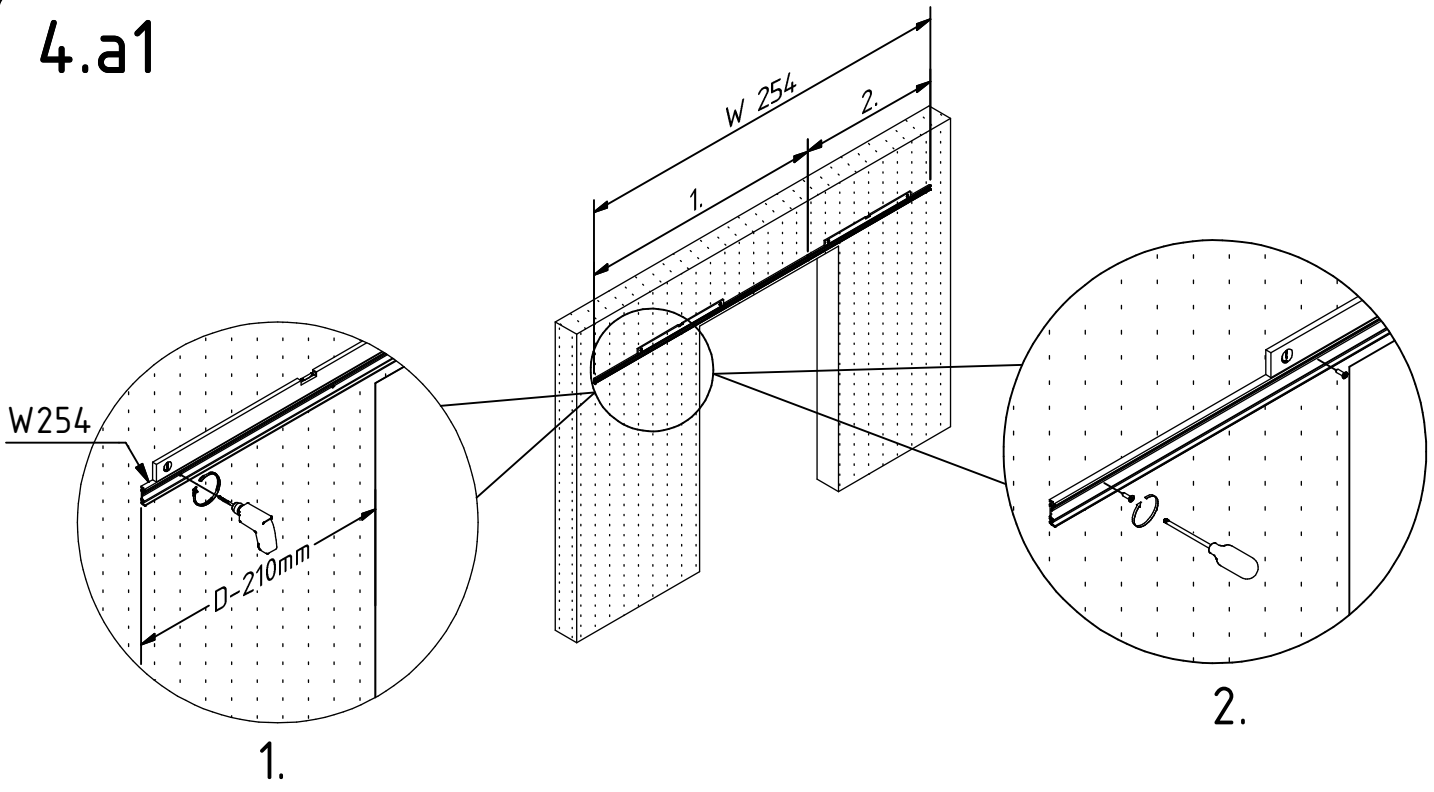
4.



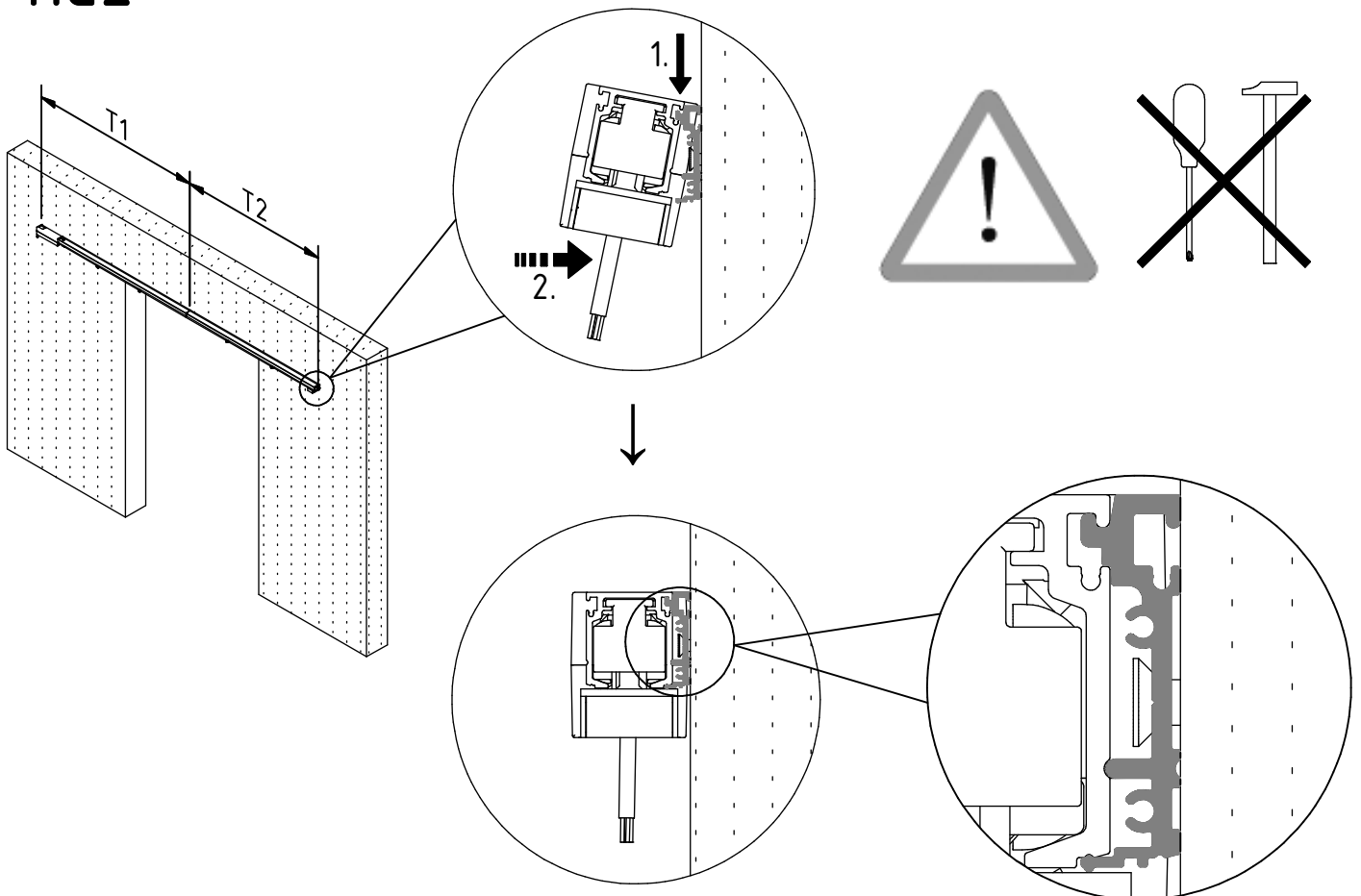
4.a



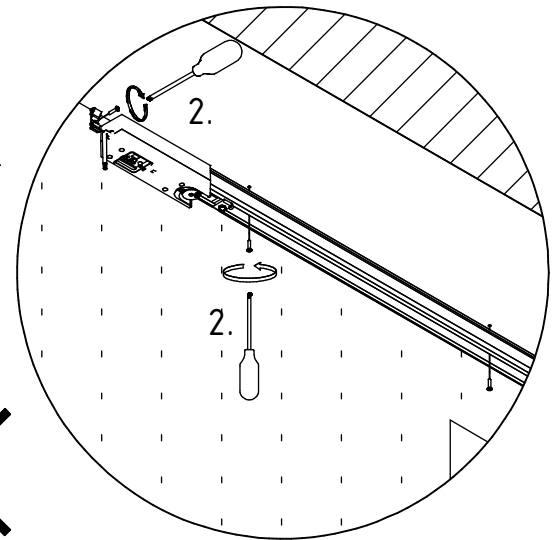
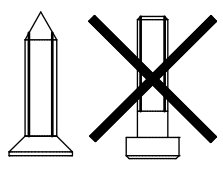
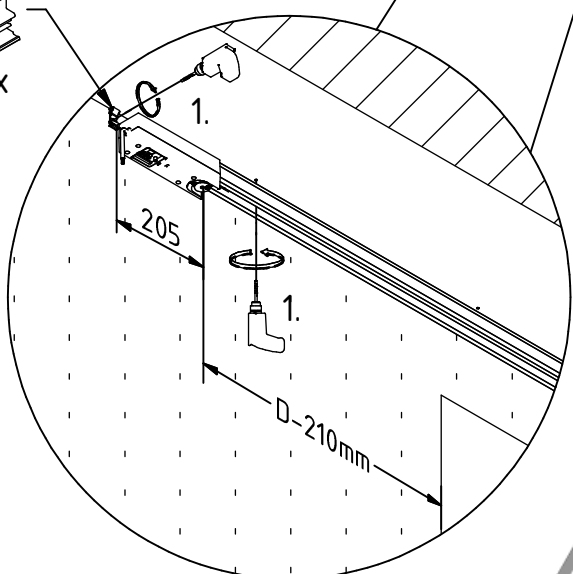
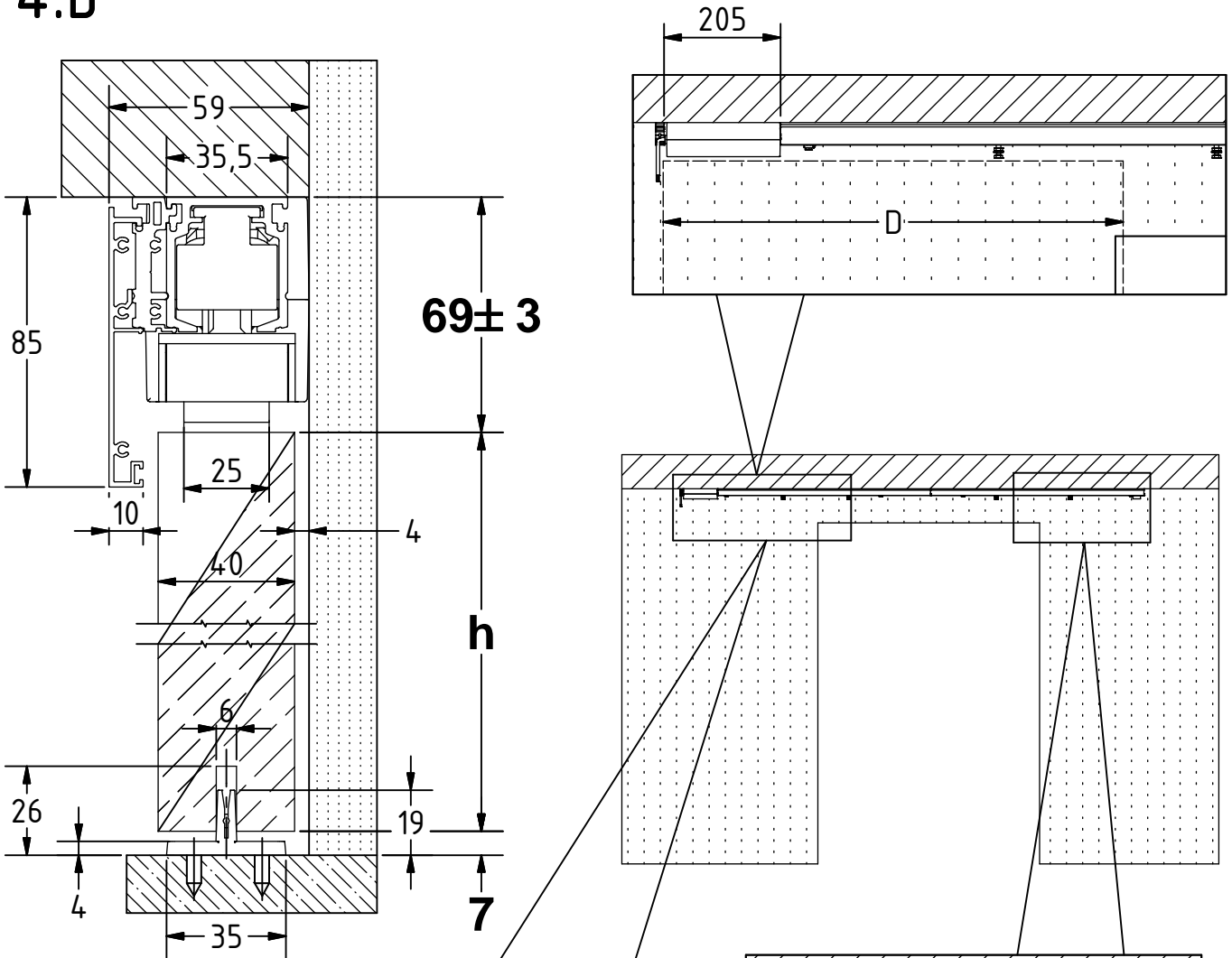
# 4.a1



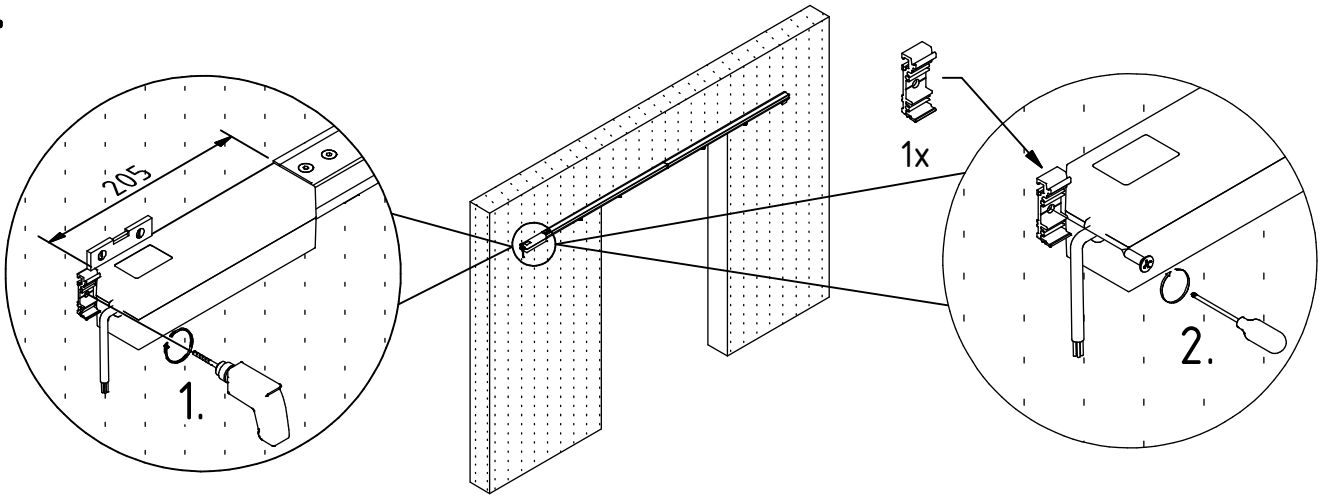
# 4.a2



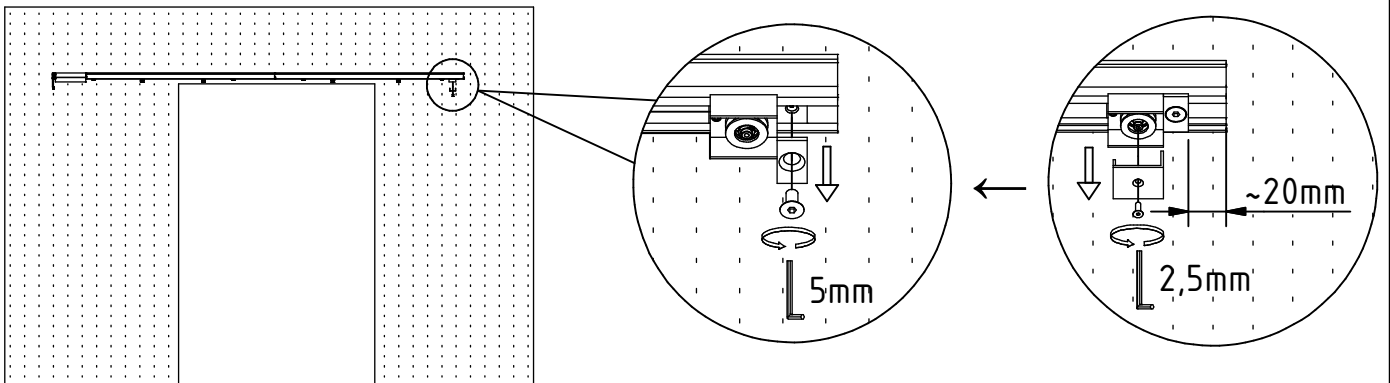
# 4.b



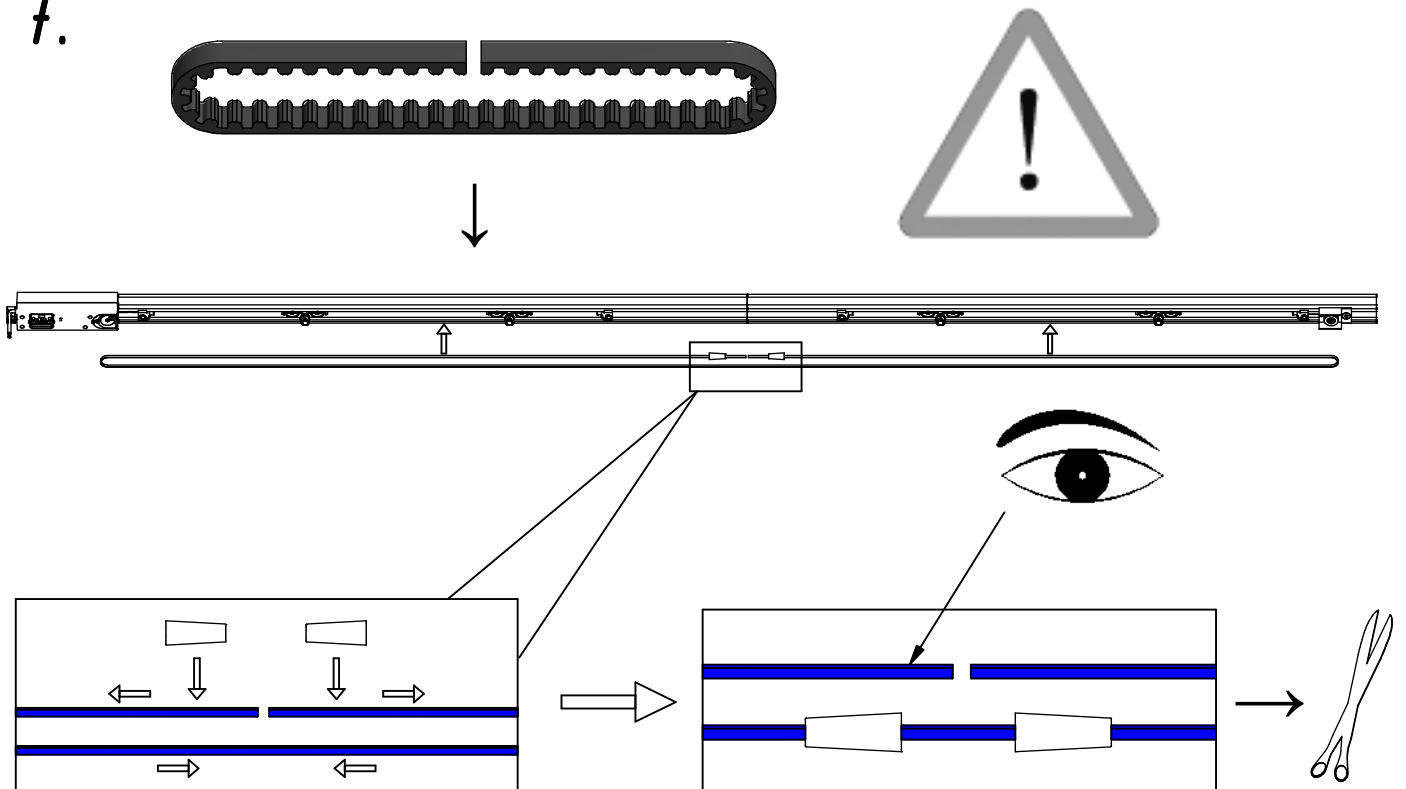
5.



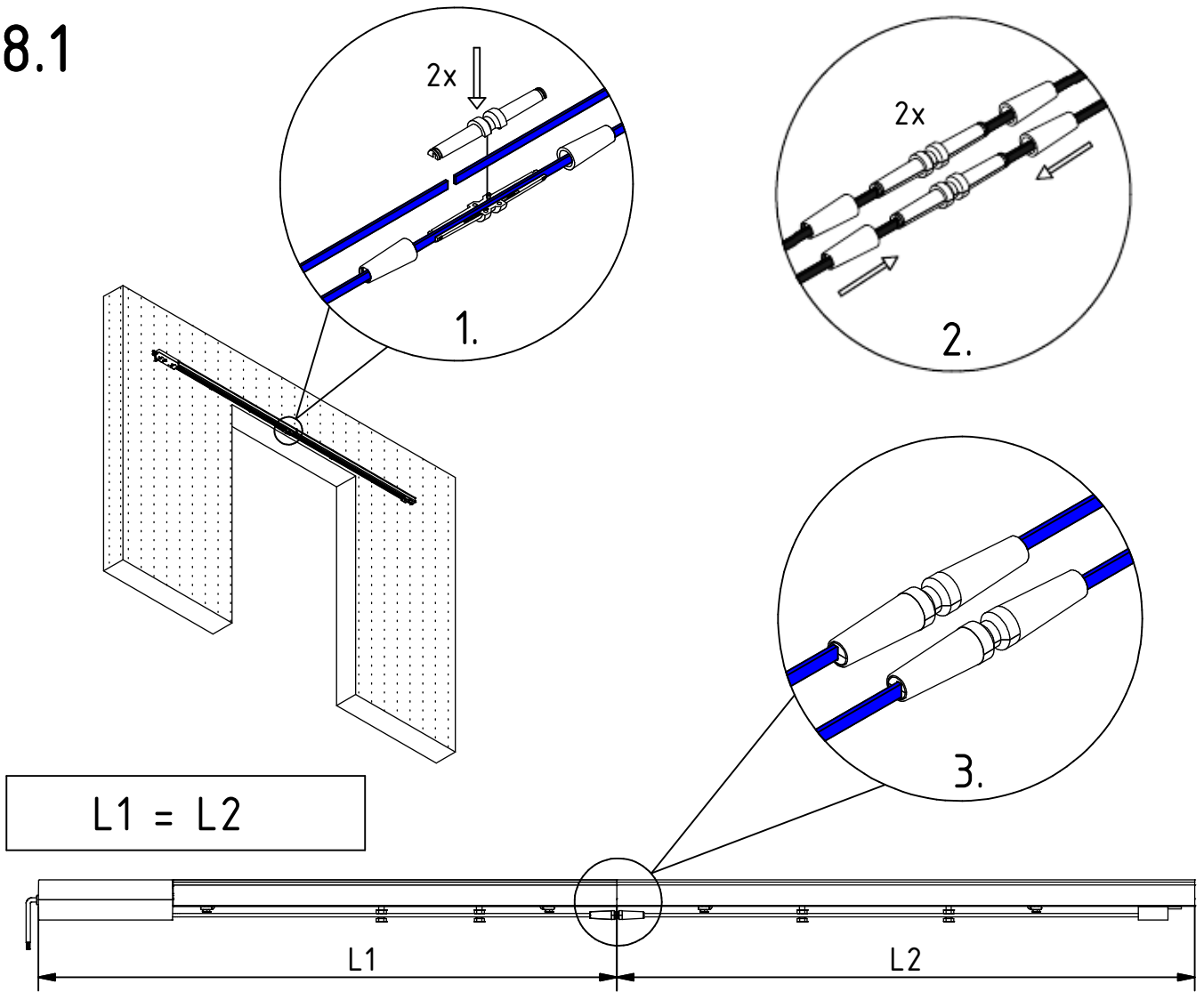
6.



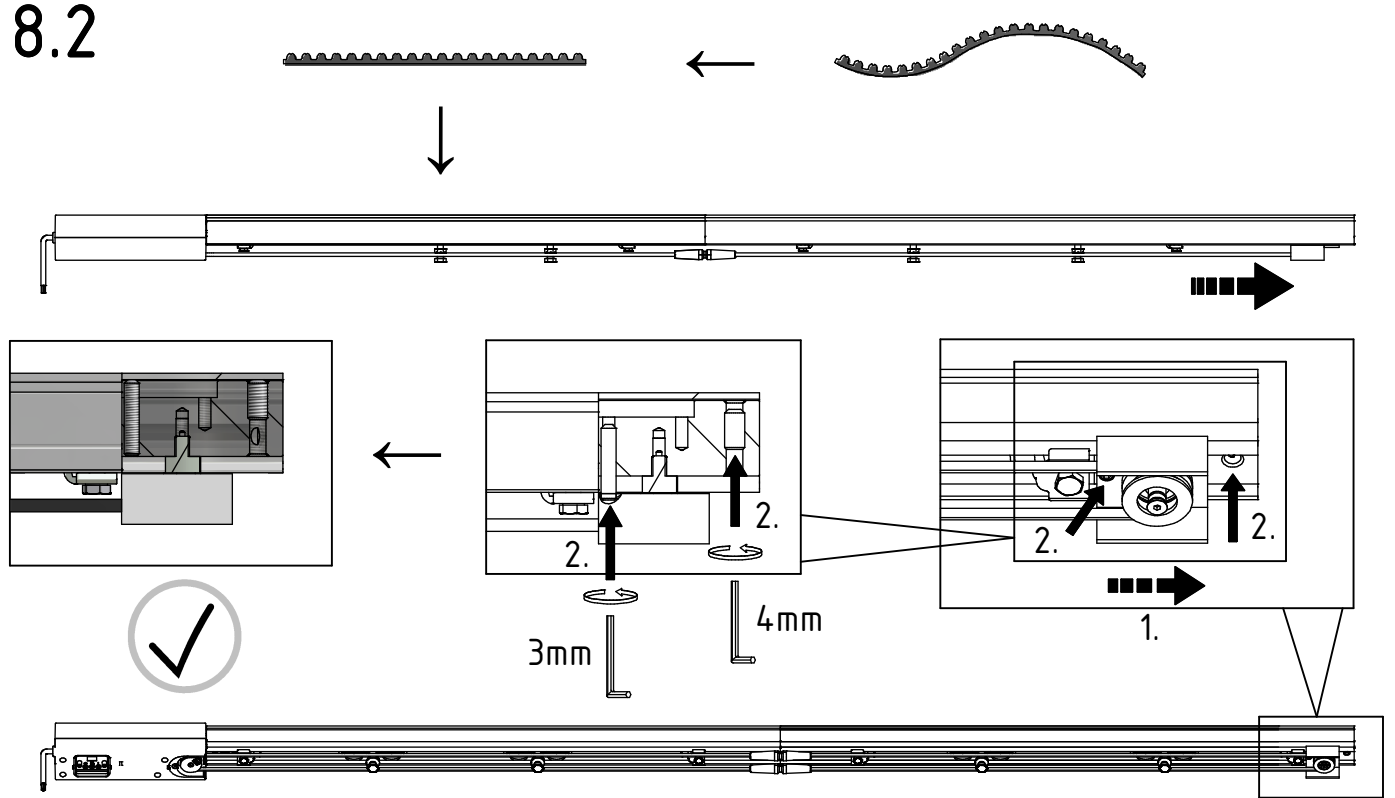
7.



# 8.1

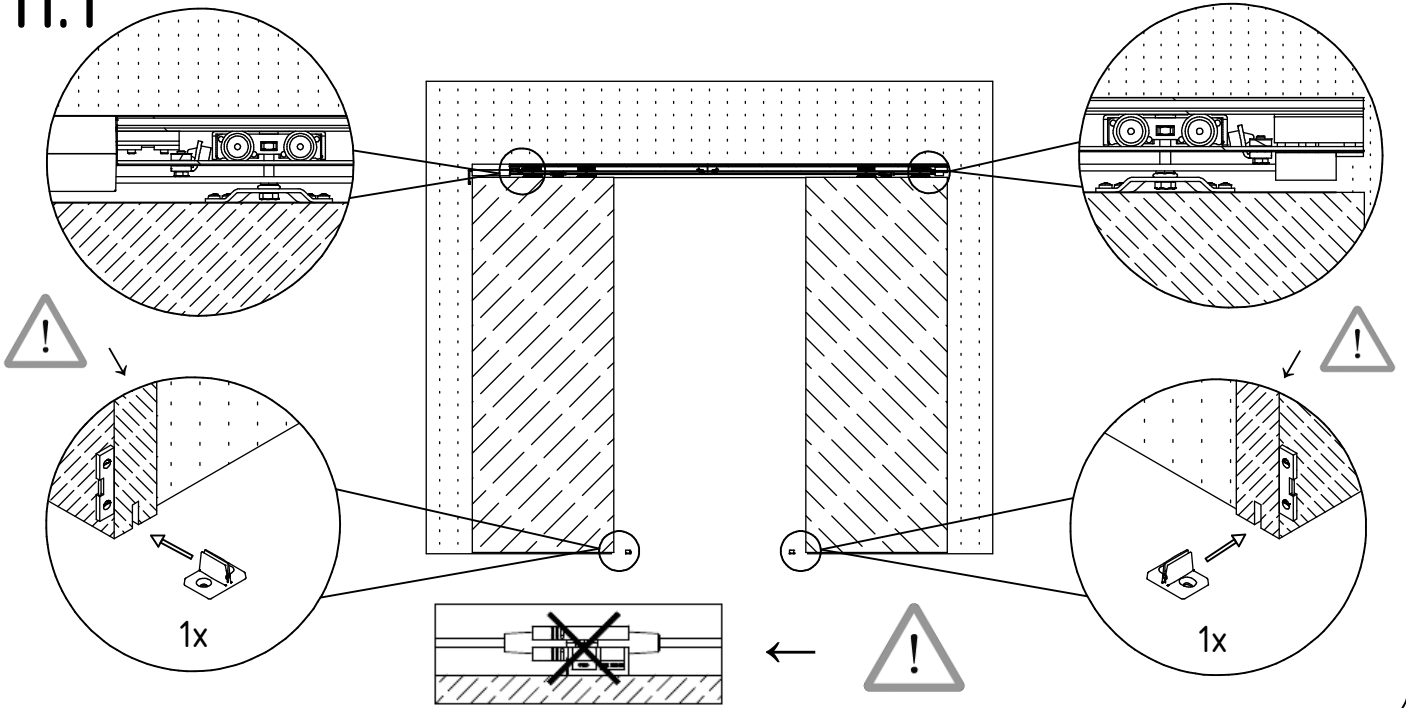


# 8.2

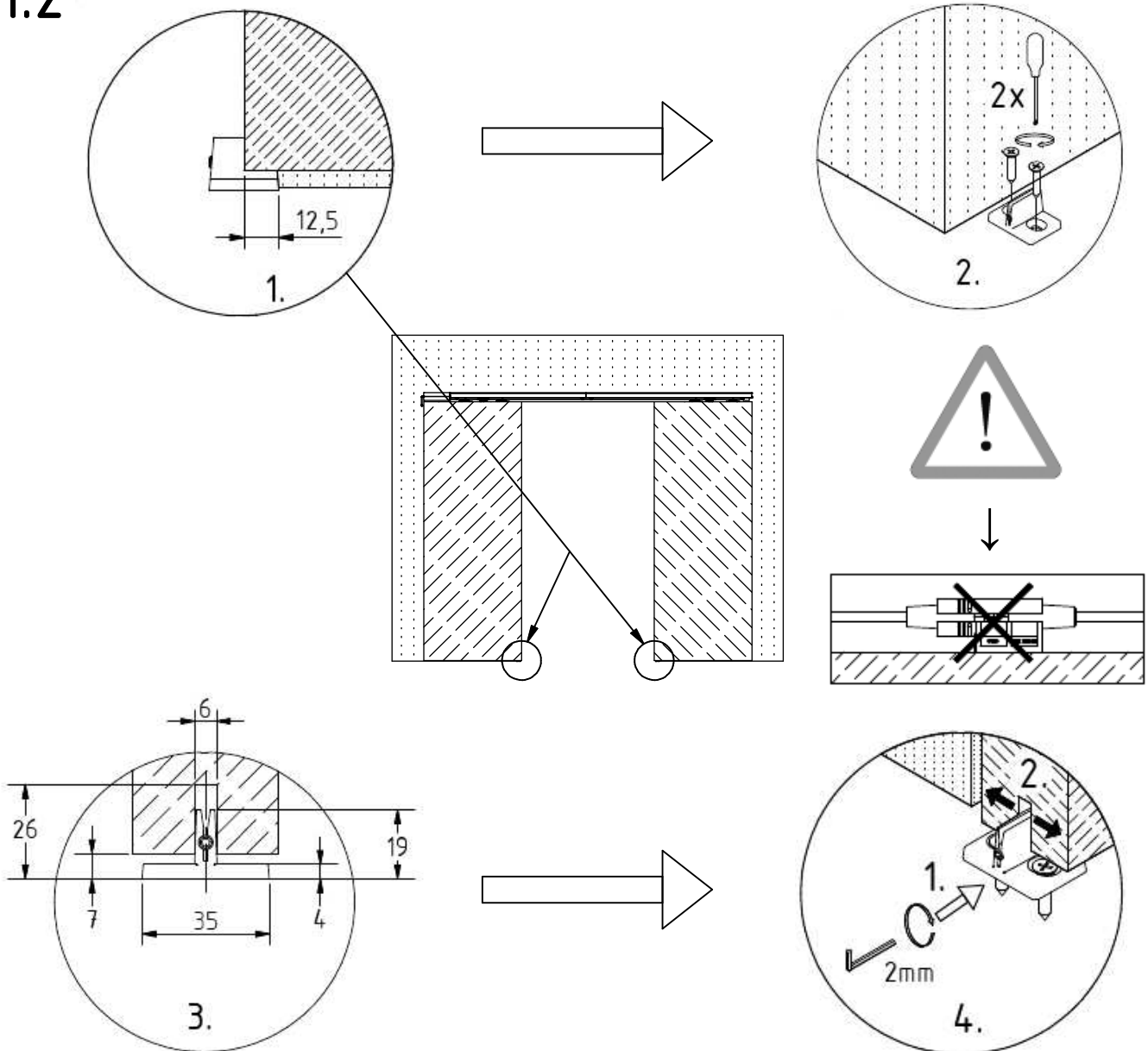




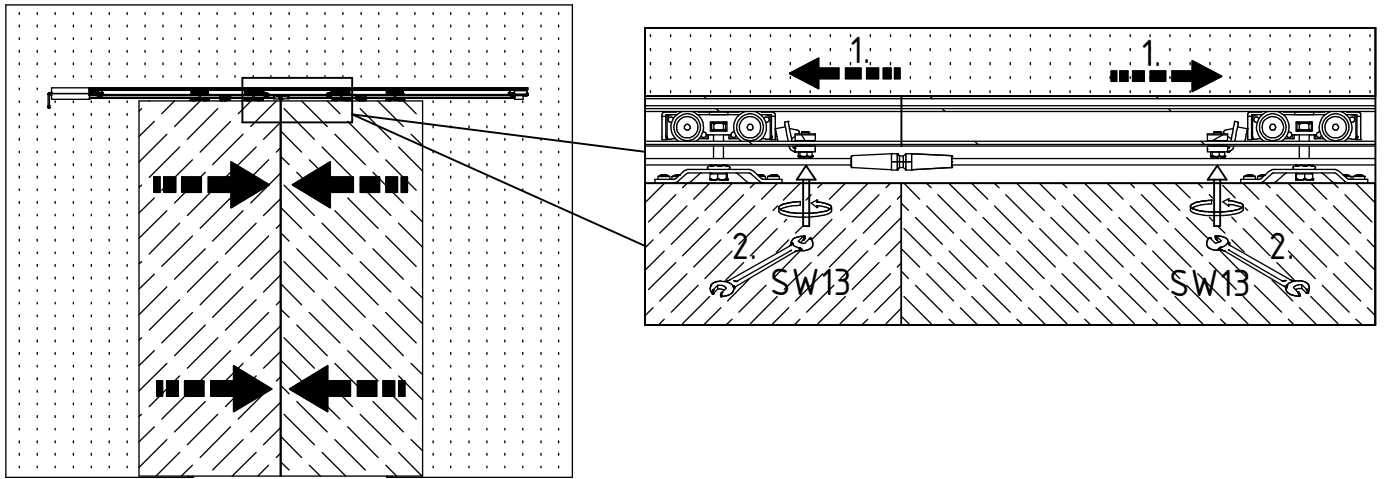
# 11.1



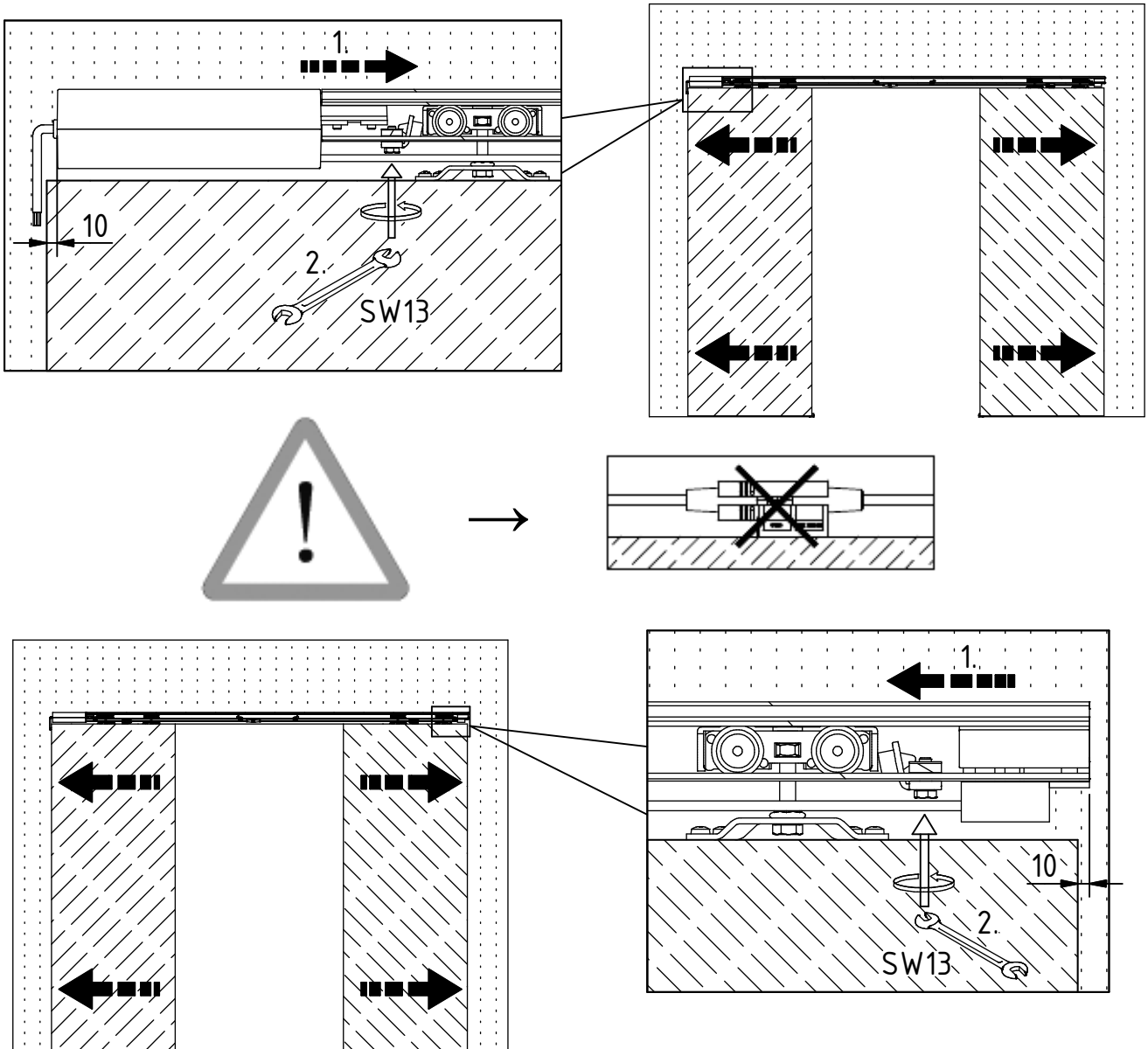
# 11.2



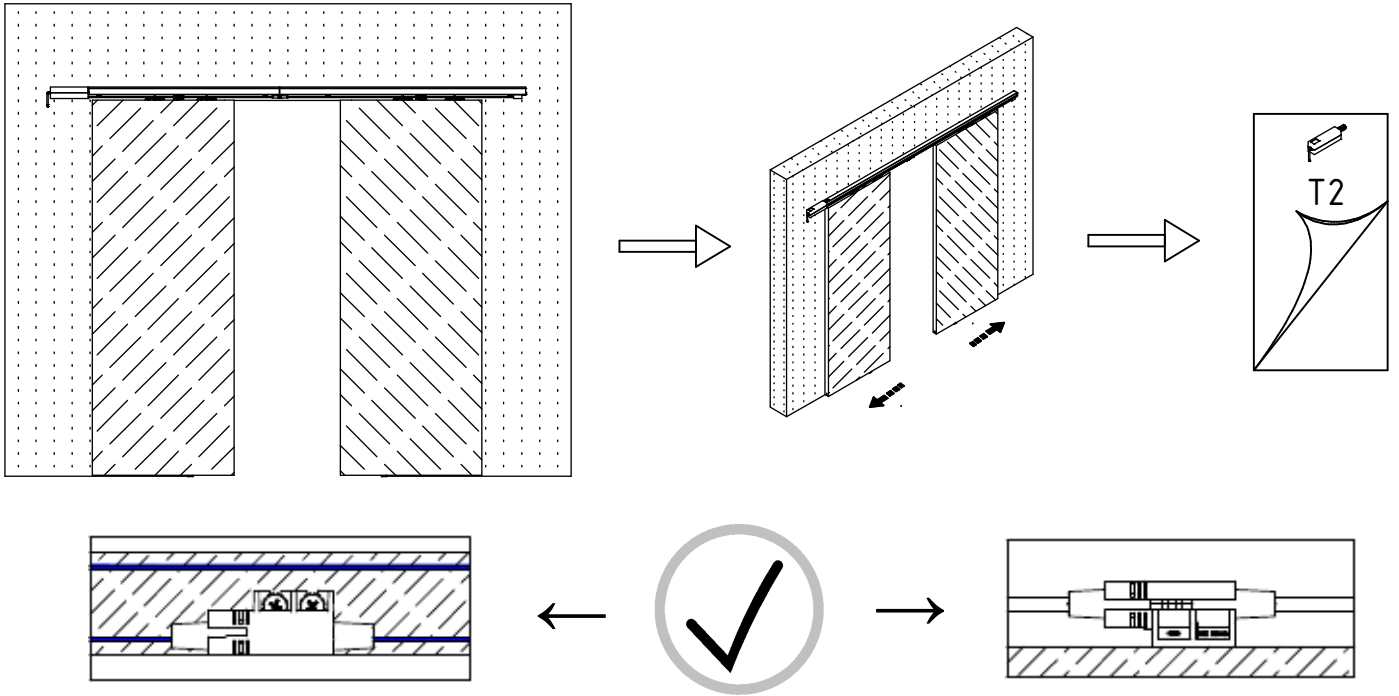
# 12.1



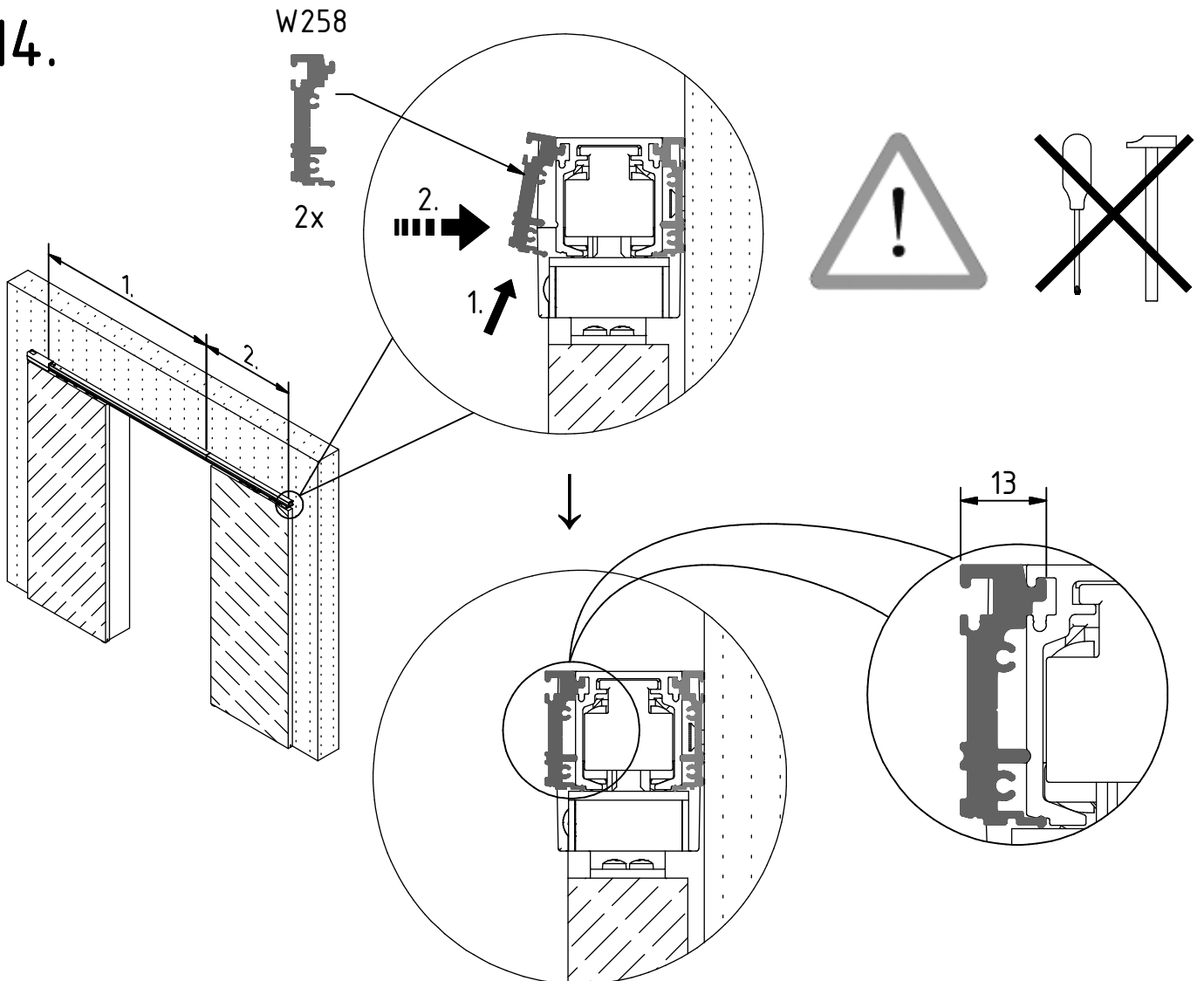
# 12.2



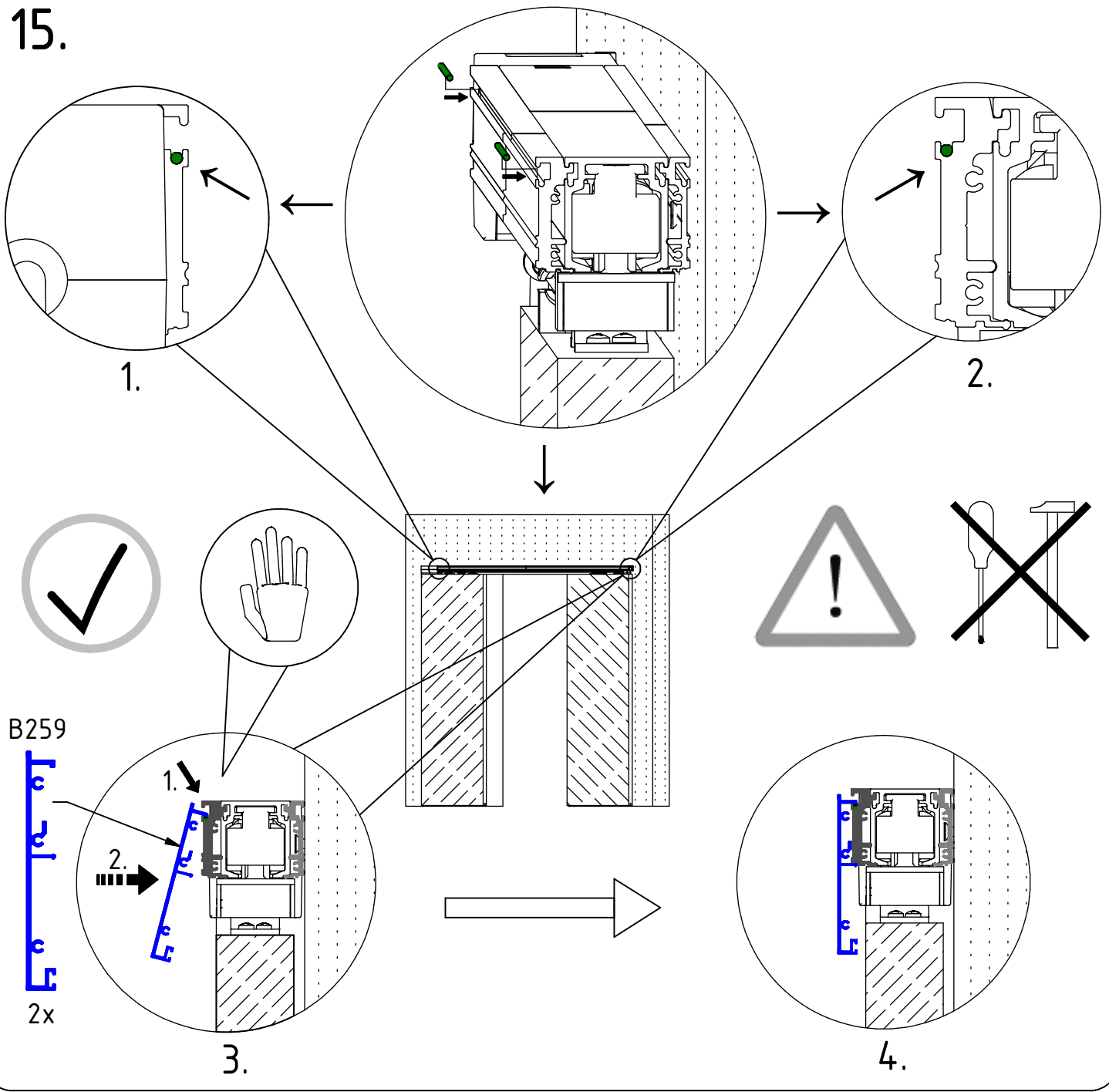
13.



14.



15.



16.

